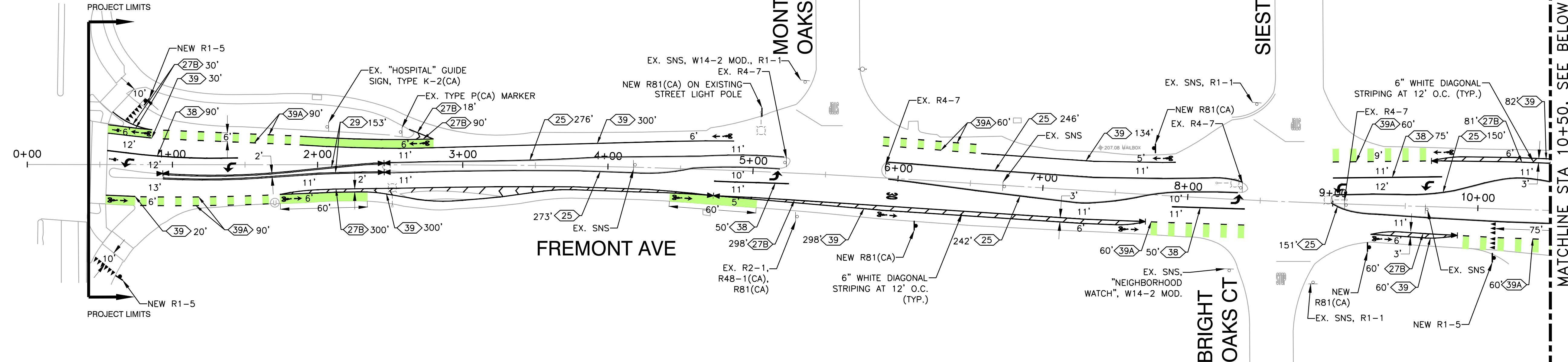


GRANT RD

MONTEBELLO OAKS CT

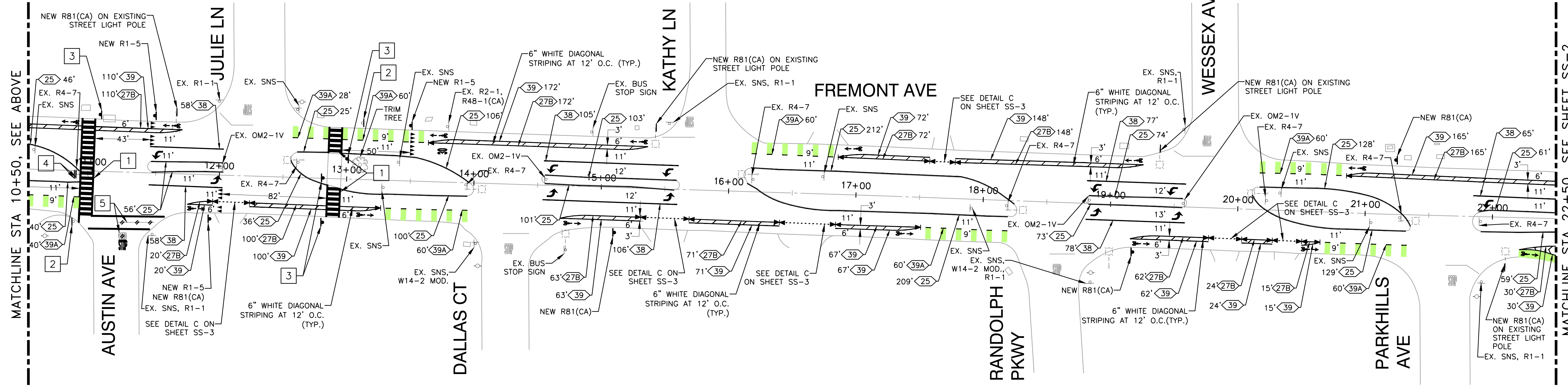
SIESTA DR



FREMONT AVE

BRIGHT OAKS CT

MATCHLINE STA 10+50, SEE BELOW



FREMONT AVE

WESEX AVE

MATCHLINE STA 22+50, SEE SHEET SS-2

GENERAL NOTES:

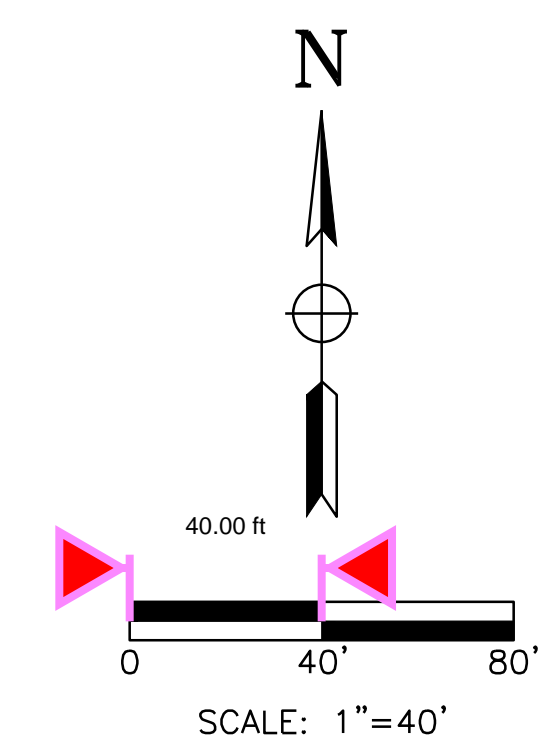
- ALL NEW CROSSWALK SIGNS SHALL BE FLUORESCENT YELLOW-GREEN.
- ALL EXISTING SIGNS SHALL BE PROTECTED IN PLACE UNLESS NOTED OTHERWISE.
- ALL NEW SIGNS SHALL BE PER THE LATEST CAMUTCD STANDARDS. SEE DETAIL D ON SHEET SS-3 FOR DETAILS.

PROJECT NOTES (THIS SHEET ONLY):

- INSTALL 12" WHITE CROSSWALK AT 11' O.C. WITH 24" LADDER STRIPING PER CALTRANS STANDARD A24F.
- REMOVE EXISTING W11-2 SIGN. FURNISH AND INSTALL NEW W11-2 AND W16-7P SIGNS PER LATEST CAMUTCD STANDARD AND REFLECTIVE POST PANEL ON EXISTING POST PER DETAIL E ON SHEET SS-3.
- FURNISH AND INSTALL NEW W11-2 SIGN, W16-7P SIGN, AND REFLECTIVE POST PANEL ON NEW POST PER DETAIL E ON SHEET SS-3.
- FURNISH AND INSTALL NEW W11-2 SIGN, W66B SIGN, AND REFLECTIVE POST PANEL ON EXISTING STREET LIGHT POLE.
- GRIND EXISTING PAVEMENT MARKING.

LEGEND:

- EXISTING FIRE HYDRANT
- EXISTING STREET LIGHT
- EXISTING SIGN AND POST
- NEW SIGN AND POST
- REMOVE EXISTING STRIPING/PAVEMENT MARKING
- NEW YIELD LINE PAVEMENT MARKING PER CALTRANS STANDARD A24E
- NEW BIKE LANE PAVEMENT MARKING PER CALTRANS STANDARD A24 C
- NEW BICYCLE LOOP DETECTOR SYMBOL PER CALTRANS STANDARD A24C
- TYPE IV PAVEMENT MARKING ARROW PER CALTRANS STANDARD A24A
- CONFORM/CHANGE OF DETAIL
- (XX) X' (DETAIL NUMBER PER CALTRANS STANDARD), LENGTH OF DETAIL

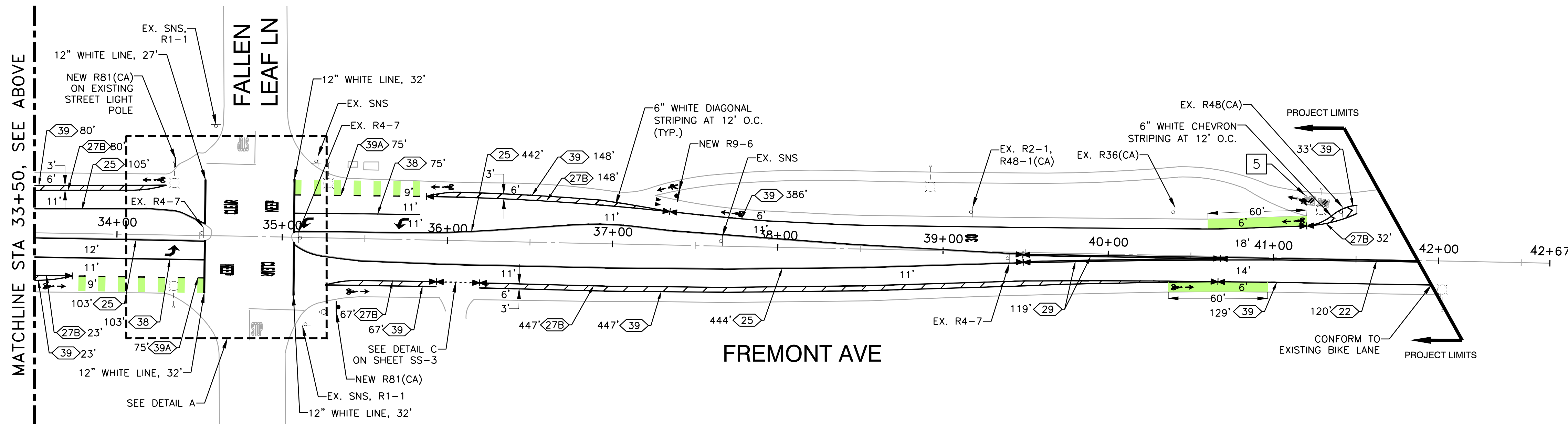
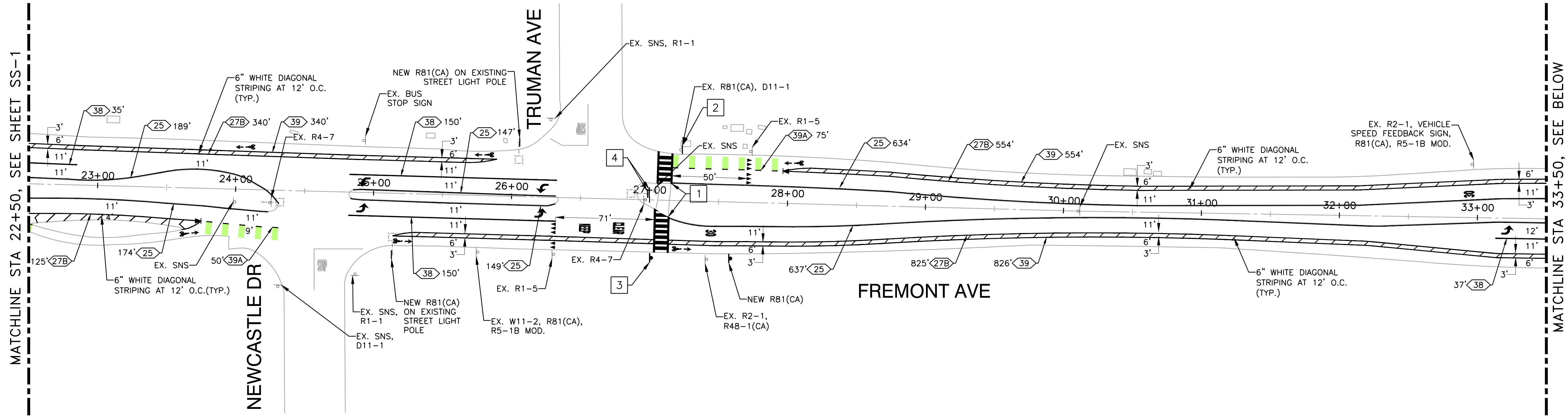


100% SUBMITTAL  
JANUARY 15, 2021



1-800-227-2600

<p>4305 Hacienda Drive, Suite 550 Pleasanton, CA 94588 tjm@tjkm.com</p>	REVISIONS
	DATE
<p>CITY OF LOS ALTOS 1 NORTH SAN ANTONIO ROAD CALIFORNIA 94022 (650) 947-2700</p>	BY
	DATE
	DATE
	DATE
<p>FREMONT AVENUE PAVEMENT REHABILITATION FROM GRANT ROAD TO STEVENS CREEK PROJECT TS-01056</p>	DATE
<p>SIGNING AND STRIPING PLAN</p>	DATE
<p>LOS ALTOS SANTA CLARA COUNTY CALIFORNIA</p>	DATE
<p>DWG NO. SS-1 JOB NO. 19058</p>	DATE
<p>7 OF 10</p>	DATE



**GENERAL NOTES:**

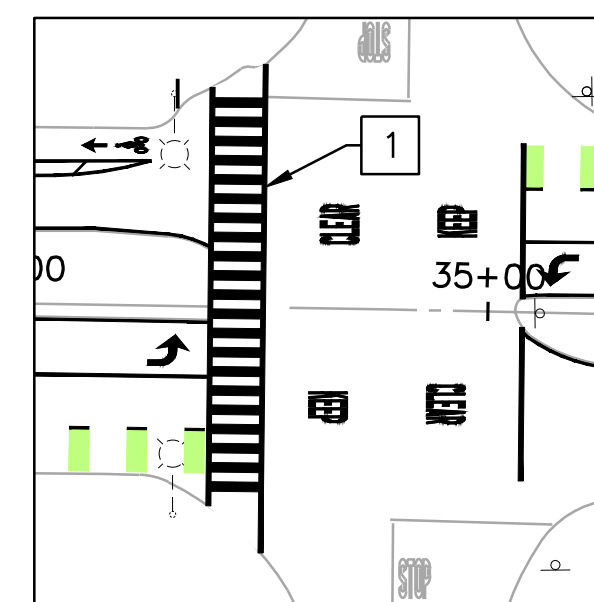
1. ALL NEW CROSSWALK SIGNS SHALL BE FLUORESCENT YELLOW-GREEN.
2. ALL EXISTING SIGNS SHALL BE PROTECTED IN PLACE UNLESS NOTED OTHERWISE.
3. ALL NEW SIGNS SHALL BE PER THE LATEST CAMUTCD STANDARDS. SEE DETAIL D ON SHEET SS-3 FOR DETAILS.

**PROJECT NOTES (THIS SHEET ONLY):**

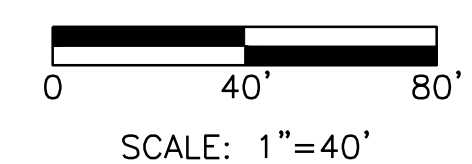
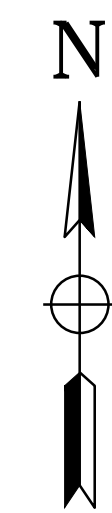
1. INSTALL 12" WHITE CROSSWALK AT 11' O.C. WITH 24" LADDER STRIPING PER CALTRANS STANDARD A24F.
2. REMOVE EXISTING W11-2 SIGN. FURNISH AND INSTALL NEW W11-2 AND W16-7P SIGNS PER LATEST CAMUTCD STANDARD AND REFLECTIVE POST PANEL ON EXISTING POST PER DETAIL E ON SHEET SS-3.
3. FURNISH AND INSTALL NEW W11-2 SIGN, W16-7P SIGN, AND REFLECTIVE POST PANEL ON NEW POST PER DETAIL E ON SHEET SS-3.
4. FURNISH AND INSTALL NEW W11-2 SIGN, W66B SIGN, AND REFLECTIVE POST PANEL ON EXISTING STREET LIGHT POLE.
5. GRIND EXISTING PAVEMENT MARKING.

**LEGEND:**

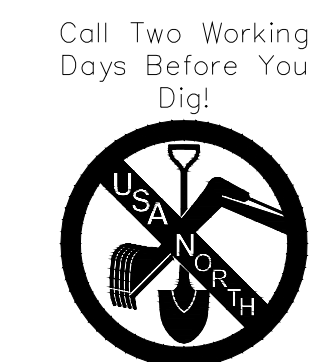
- EXISTING FIRE HYDRANT
- ⊙ EXISTING STREET LIGHT
- ⊙ EXISTING SIGN AND POST
- ⊙ NEW SIGN AND POST
- ▬▬▬▬ NEW YIELD LINE PAVEMENT MARKING PER CALTRANS STANDARD A24E
- ▬▬▬▬ NEW BIKE LANE PAVEMENT MARKING PER CALTRANS STANDARD A24 C
- ▬▬▬▬ NEW PEDESTRIAN ROUTE PREFORMED THERMOPLASTIC PAVEMENT MARKING. SEE DETAIL F ON SHEET SS-3.
- ▬▬▬▬ TYPE IV PAVEMENT MARKING ARROW PER CALTRANS STANDARD A24A
- ▬▬▬▬ CONFORM/CHANGE OF DETAIL
- (XX) X' (DETAIL NUMBER PER CALTRANS STANDARD), LENGTH OF DETAIL



DETAIL A  
FUTURE CROSSWALK TO BE STUDIED AT FALLEN LEAF LN



100% SUBMITTAL  
JANUARY 15, 2021

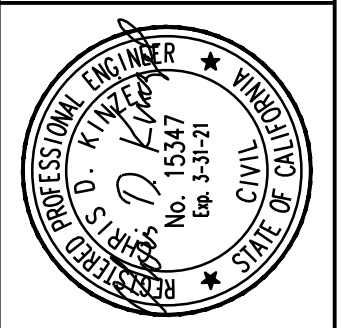


1-800-227-2600

NO.	DATE	BY	REVISIONS

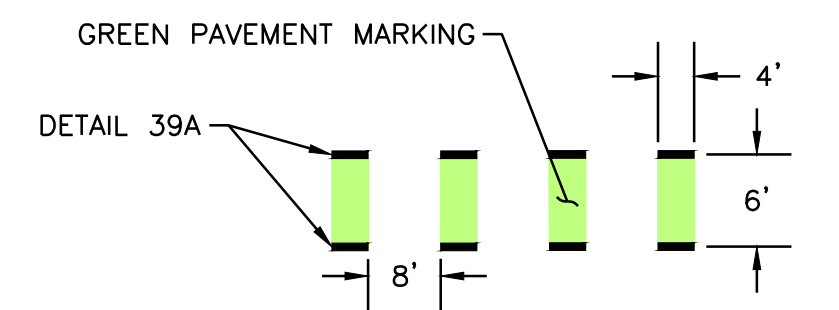
TJKM  
4305 Hacienda Drive, Suite 550  
Pleasanton, CA 94588  
tjm@tjkm.com

CITY OF LOS ALTOS  
1 NORTH SAN ANTONIO ROAD  
CALIFORNIA 94022  
(650) 947-2700

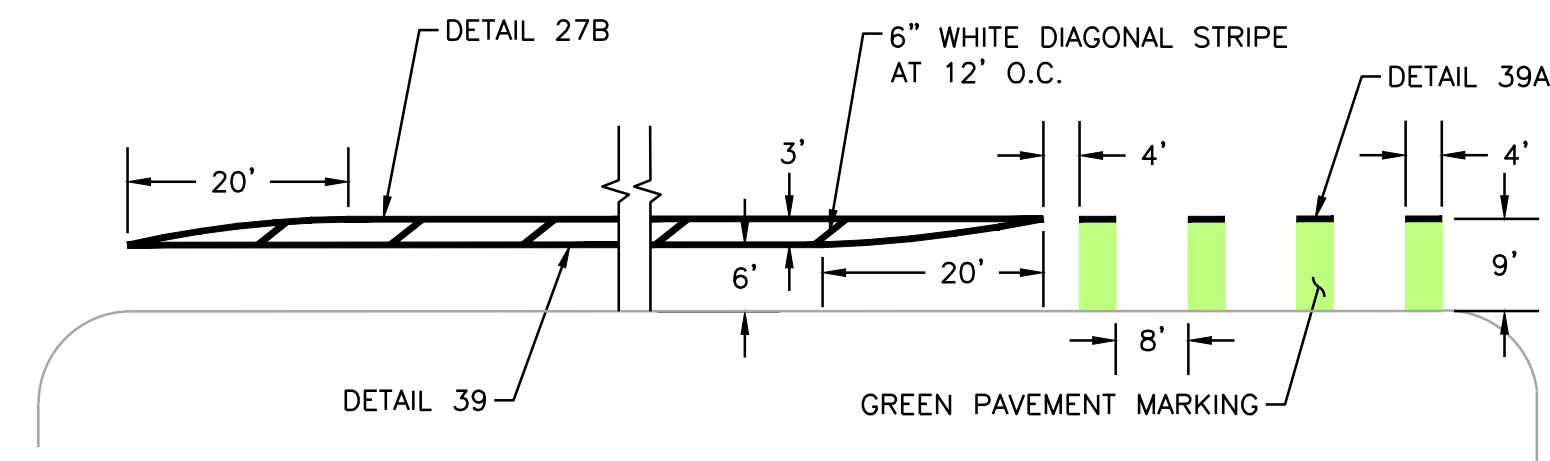


FREMONT AVENUE PAVEMENT REHABILITATION  
FROM GRANT ROAD TO STEVENS CREEK PROJECT TS-01056  
SIGNING AND STRIPING PLAN  
LOS ALTOS SANTA CLARA COUNTY CALIFORNIA

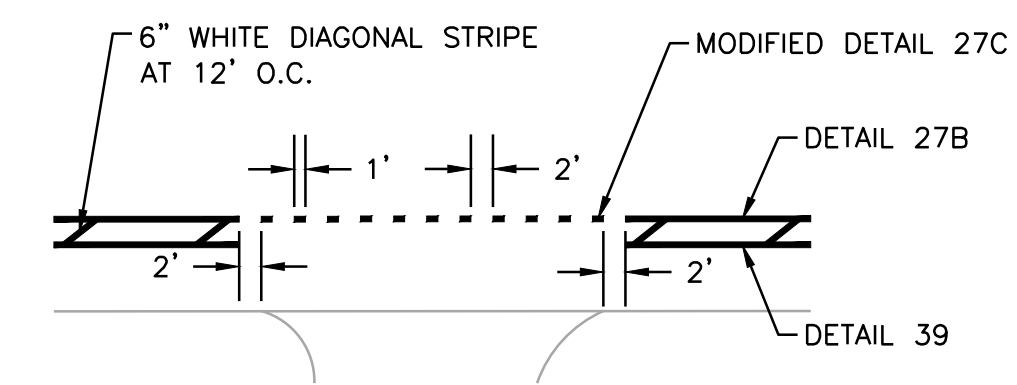
DWG NO. SS-2  
8 OF 10  
JOB NO. 19058



**DETAIL A**  
BIKE LANE  
GREEN PAVEMENT ENHANCEMENT



**DETAIL B**  
BUFFERED BIKE LANE  
GREEN PAVEMENT ENHANCEMENT



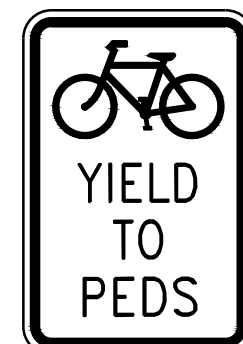
**DETAIL C**  
BUFFERED BIKE LANE  
STRIPING AT PRIVATE DRIVEWAYS



R1-5  
36"x36"



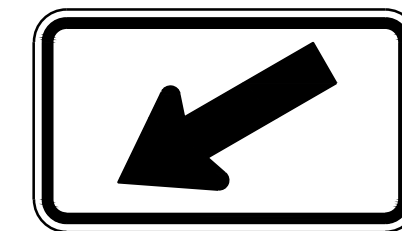
R81(CA)  
24"x18"



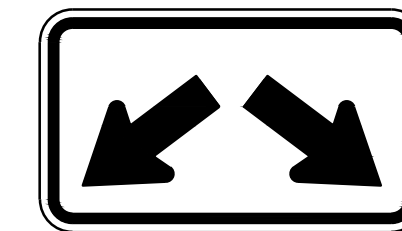
R9-6  
12"x18"



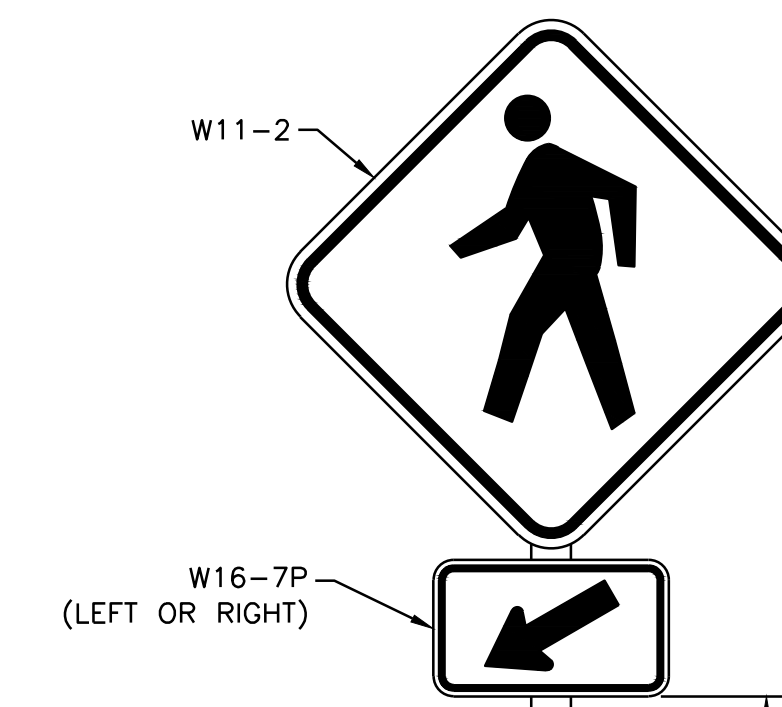
W11-2  
FLUORESCENT YELLOW-GREEN  
30"x30"



W16-7P  
FLUORESCENT YELLOW-GREEN  
24"x12"



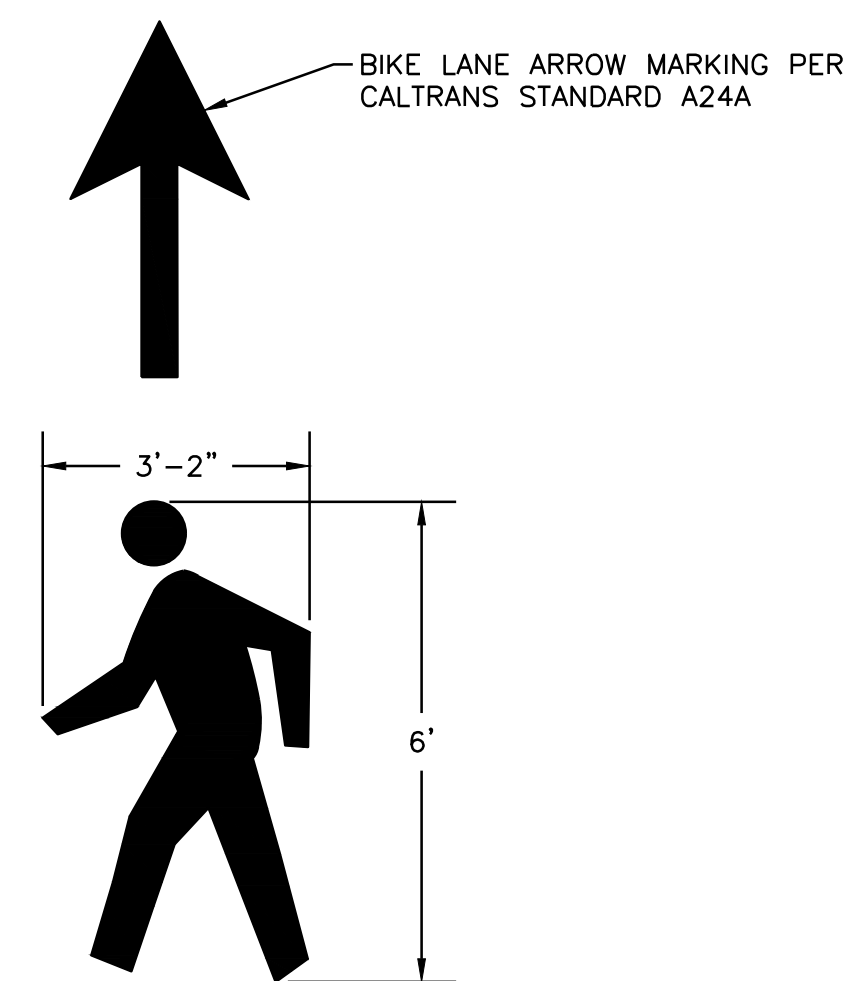
W66B  
FLUORESCENT YELLOW-GREEN  
24"x12"



**DETAIL E**  
REFLECTIVE POST PANEL

INSTALL TAPCO BRITESIDE REFLECTIVE POST PANELS IN FLUORESCENT YELLOW-GREEN COLOR ON NEW/EXISTING SIGN POSTS AND STREET LIGHT POLES WITH CROSSWALK SIGNAGE

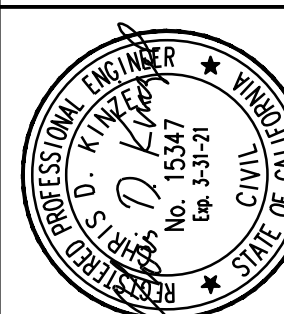
**DETAIL D**  
SIGN DETAILS



**DETAIL F**  
PREFORMED THERMOPLASTIC  
PEDESTRIAN ROUTE PAVEMENT MARKING



CITY OF LOS ALTOS  
1 NORTH SAN ANTONIO ROAD  
CALIFORNIA 94022  
(650) 947-2700



FREMONT AVENUE PAVEMENT REHABILITATION  
FROM GRANT ROAD TO STEVENS CREEK PROJECT TS-01056  
SIGNING AND STRIPING DETAILS  
LOS ALTOS SANTA CLARA COUNTY CALIFORNIA

DWG NO. SS-3  
JOB NO. 19058  
9 OF 10

100% SUBMITTAL  
JANUARY 15, 2021

Call Two Working Days Before You Dig!



NO.	DATE	BY	REVISIONS