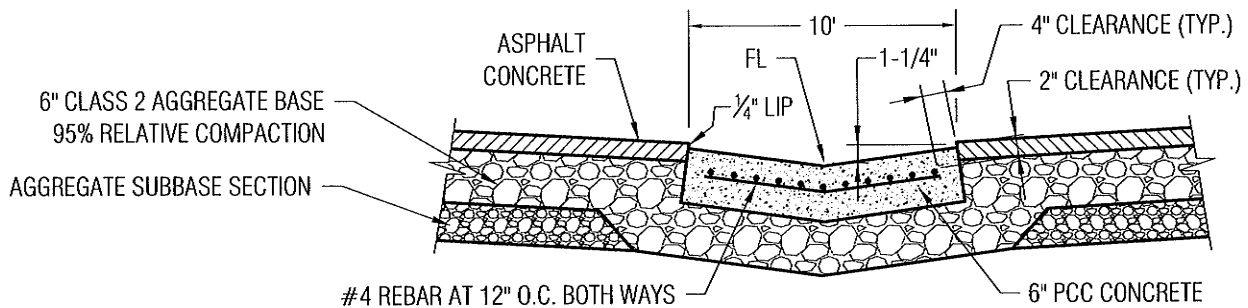


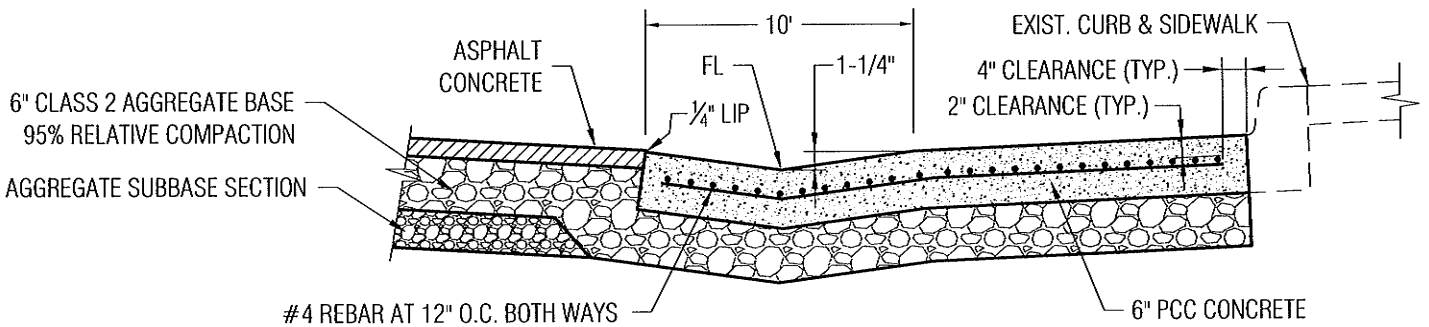
**CONCRETE APRON AND VALLEY GUTTER**

NTS



**SECTION A-A - VALLEY GUTTER**

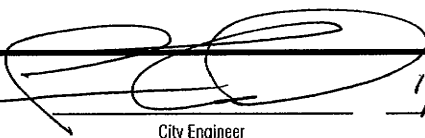
NTS

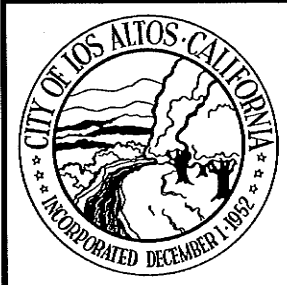


**SECTION B-B - CONCRETE APRON**

NTS

- NOTES: 1. THICKNESS OF AGGREGATE BASE UNDER THE GUTTER SHALL BE:  
 \* FOR NEW STREET SECTION: AS DETERMINED BY EXTENSION OF ROADWAY GRADING PLANE (6" MIN.), OR  
 \* FOR EXISTING STREET SECTION: 6"

Approved:  1/4/10  
 City Engineer Date



REVISION	
Description	Date
Deleted Driveway Note	02/16/12

**ENGINEERING DIVISION**

**STREET INTERSECTION  
VALLEY GUTTER AND  
CONCRETE APRON**

**SU-12**