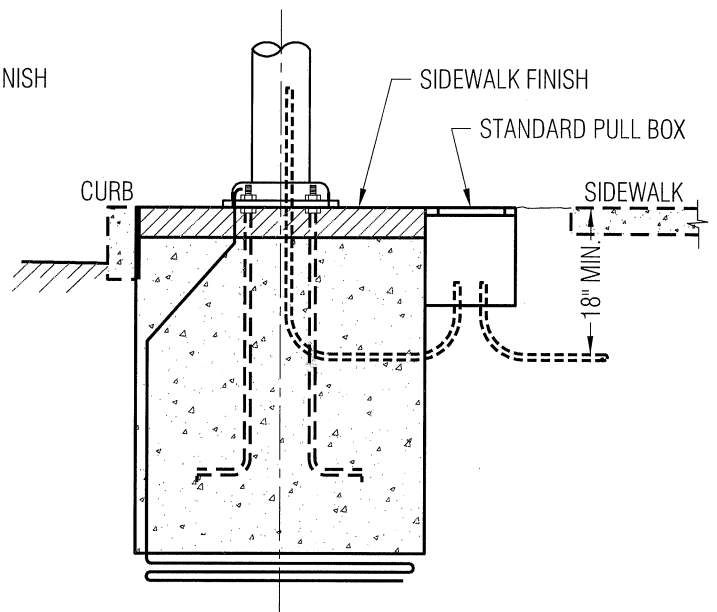
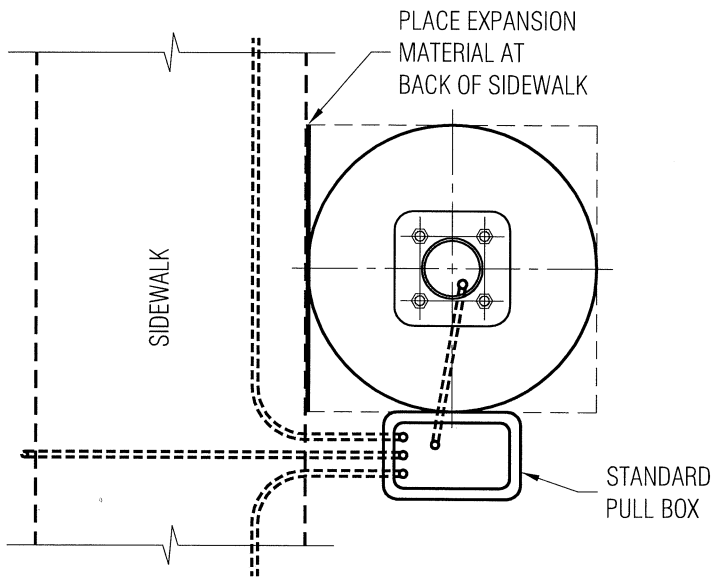


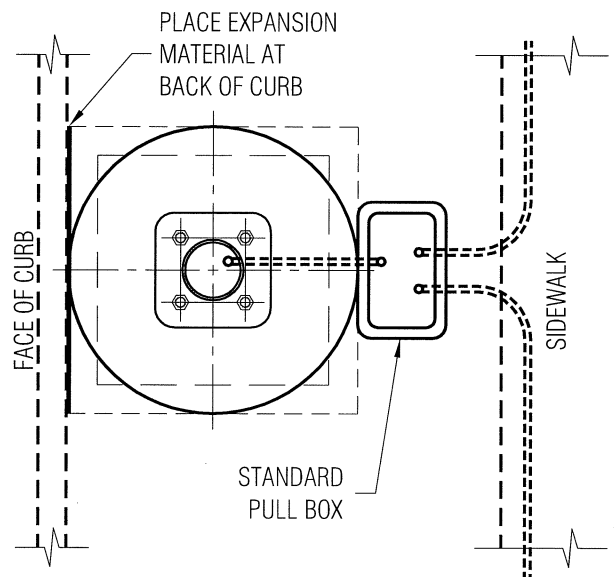
ELEVATION



ELEVATION

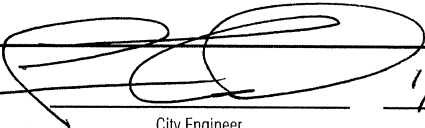


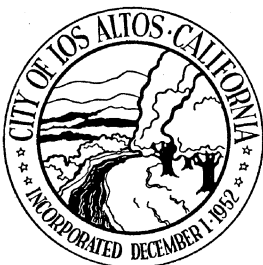
PLAN - 5' SIDEWALK



PLAN - NON-MONOLITHIC SIDEWALK

BASE INSTALLATION TO BE USED FOR LOCATIONS WHERE AREA BETWEEN CURB & SIDEWALK IS WIDER THAN 6 FEET

Approved:  1/4/10
 City Engineer Date



REVISION	
Description	Date

ENGINEERING DIVISION

**ELECTROLIER
 POLE BASE DETAILS
 (SHEET 2 OF 2)**

SL-2B