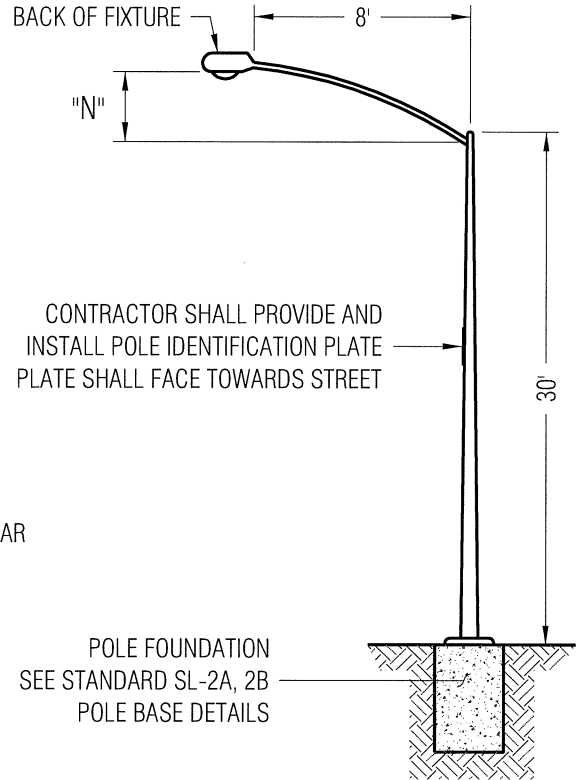
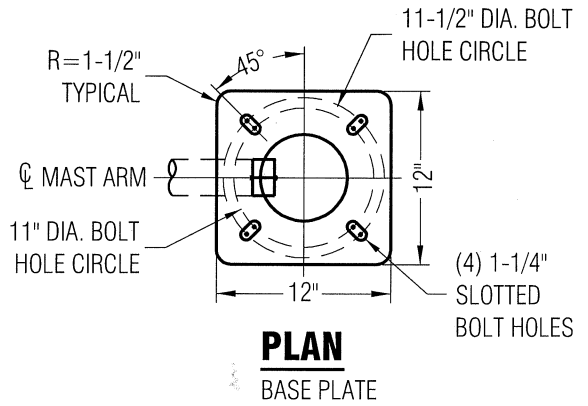
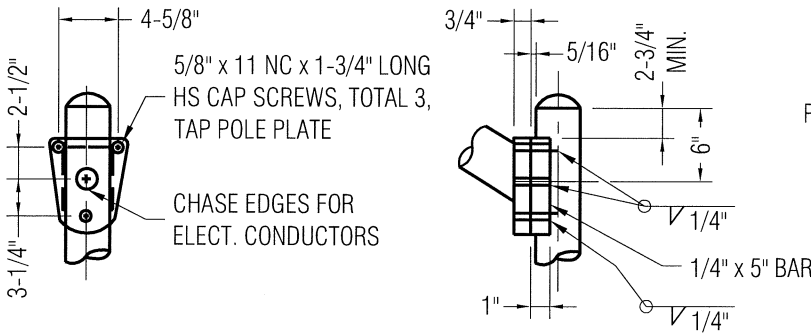


ELEVATION



ELEVATION-TYPE 15



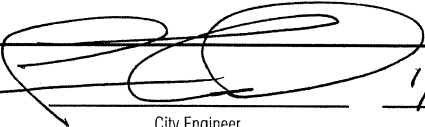
LUMINAIRE ARM CONNECTION

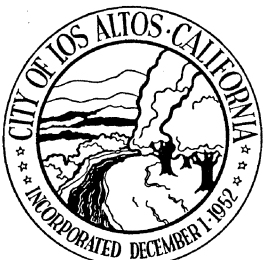
POLE DATA					
POLE TYPE	HEIGHT	MIN. O D		THICKNESS	LUMINAIRE ARM LENGTH
		BASE	TOP		
15	30'-0"	8"	3-7/8"	0.1196"	8'-0"

LUMINAIRE ARM DATA				
CLEARANCE HEIGHT	"N" RISE	MIN. O.D. AT POLE	THICKNESS	PROJECTED LENGTH
32'-0"±	2'-6"±	3-1/2"	0.1196"	8'-0"

NOTE:

1. ALL POLES LOCATED ON SAN ANTONIO ROAD OR DOWNTOWN AREA SHALL HAVE A BLACK FINISH
2. ARM LENGTH TO BE 8' UNLESS OTHERWISE NOTED ON PLAN

Approved:  1/4/10
City Engineer Date



REVISION	
Description	Date

ENGINEERING DIVISION	
ELECTROLIER	SL-1