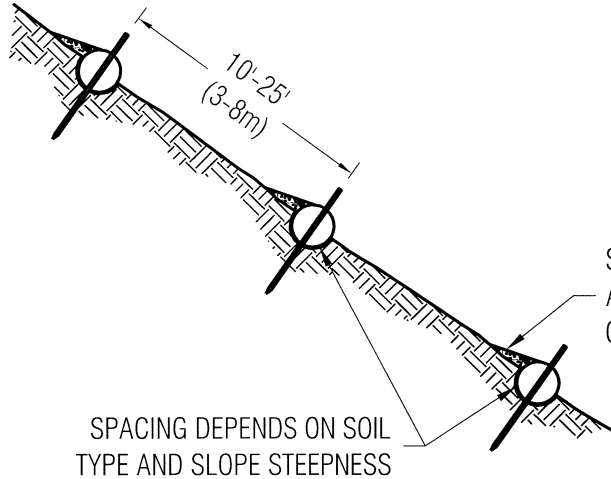
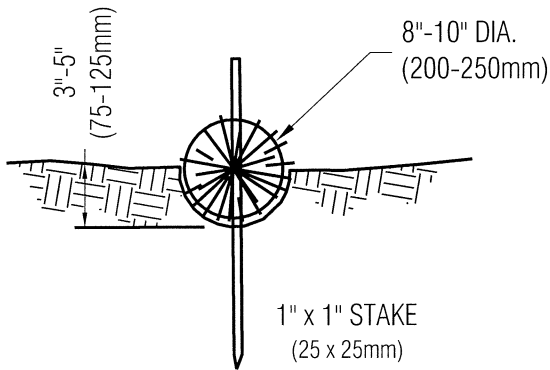


NOTE:
STRAW ROLLS MUST BE PLACED
ALONG SLOPE CONTOURS



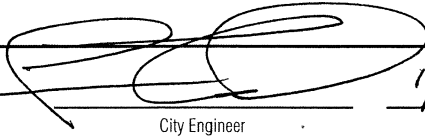
SPACING DEPENDS ON SOIL
TYPE AND SLOPE STEEPNESS

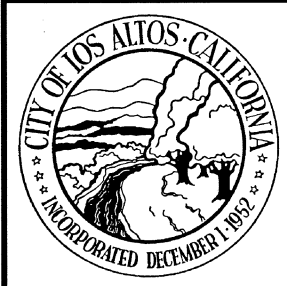
SEDIMENT, ORGANIC MATTER,
AND NATIVE SEEDS ARE
CAPTURED BEHIND THE ROLLS



NOTES:

1. STRAW ROLL INSTALLATION REQUIRES THE PLACEMENT AND SECURE STAKING OF THE ROLL IN A TRENCH, 3"-5" (75-125mm) DEEP, DUG ON CONTOUR. RUNOFF MUST NOT BE ALLOWED TO RUN UNDER OR AROUND ROLL
2. VERTICAL SPACING FOR SLOPE INSTALLATIONS
 - 1:1 SLOPES = 10 FEET APART
 - 2:1 SLOPES = 20 FEET APART
 - 3:1 SLOPES = 30 FEET APART
 - 4:1 SLOPES = 40 FEET APART
 - <4:1 SLOPE = ONE ROW AT LOW POINT
3. REMOVED SEDIMENT SHALL BE DEPOSITED IN AN AREA THAT WILL NOT CONTRIBUTE SEDIMENT TO RUN OFF-SITE AND CAN BE PERMANENTLY STABILIZED

Approved:  1/4/10
City Engineer Date



REVISION	
Description	Date

ENGINEERING DIVISION	
STRAW ROLLS	EC-4