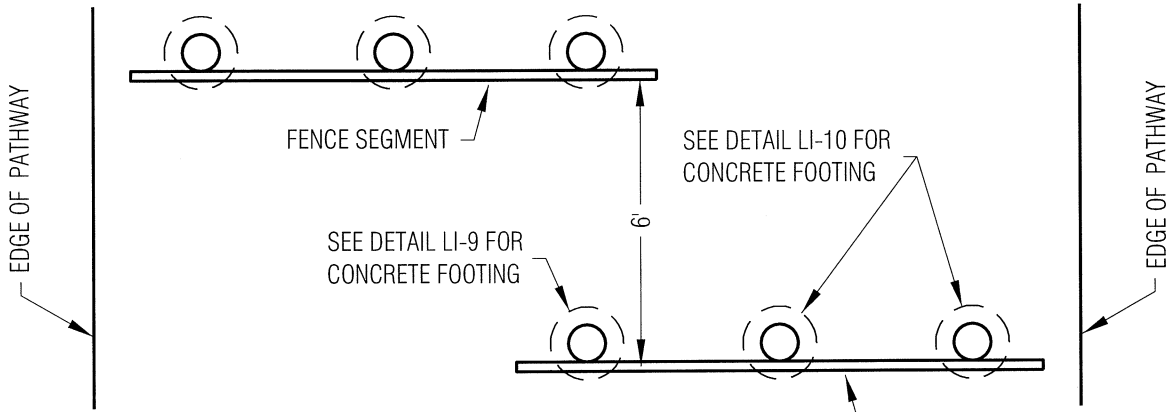
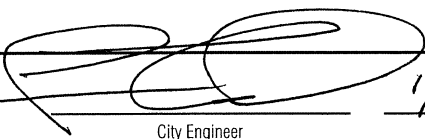


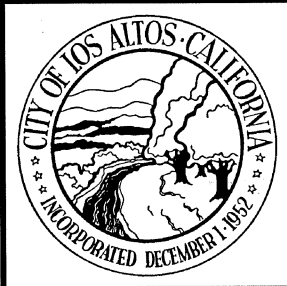
**WOOD MAZE DETAILS**

SEE DETAIL LI-9 FOR CONCRETE FOOTING



**PLAN VIEW**

Approved:  1/4/10  
 City Engineer Date



REVISION	
Description	Date

<b>ENGINEERING DIVISION</b>	
<b>WOOD MAZE DETAILS</b>	<b>LI-12</b>