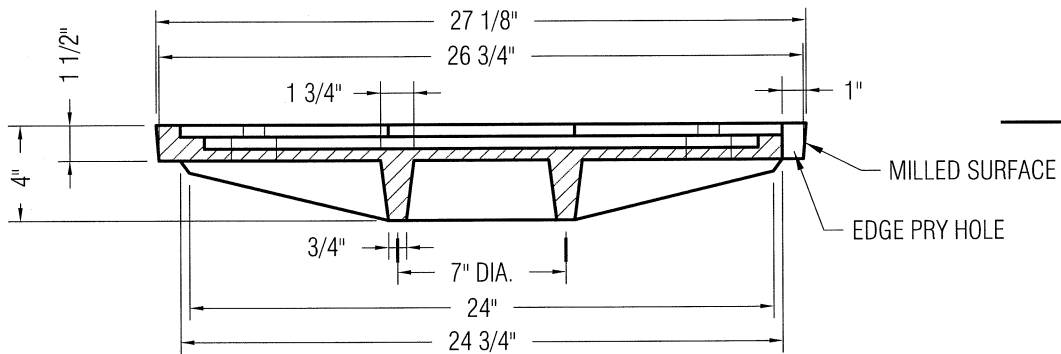
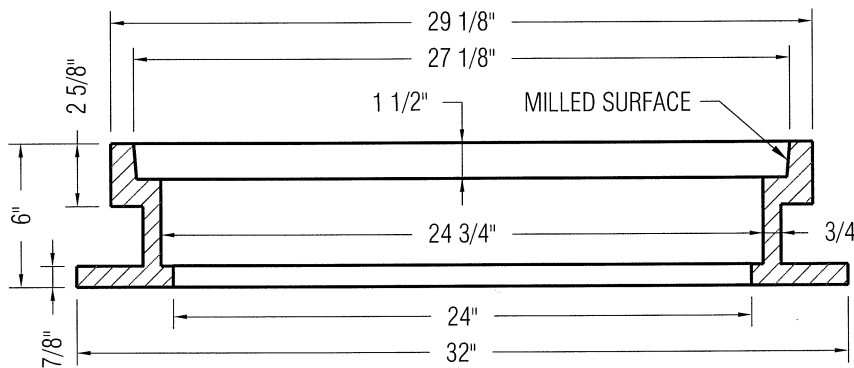


NOTE:
MINIMUM WT. OF COVER 225 LBS.



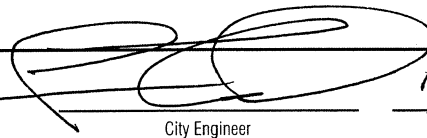
COVER

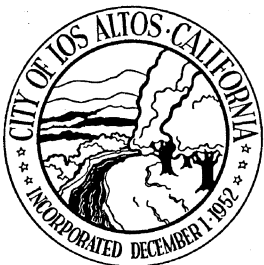


FRAME

SECTION THRU COVER & FRAME

NOTE:
MINIMUM WT. OF FRAME 190 LBS.

Approved:  1/4/10
City Engineer Date



REVISION	
Description	Date

ENGINEERING DIVISION	
STORM MANHOLE FRAME AND COVER	SD-2