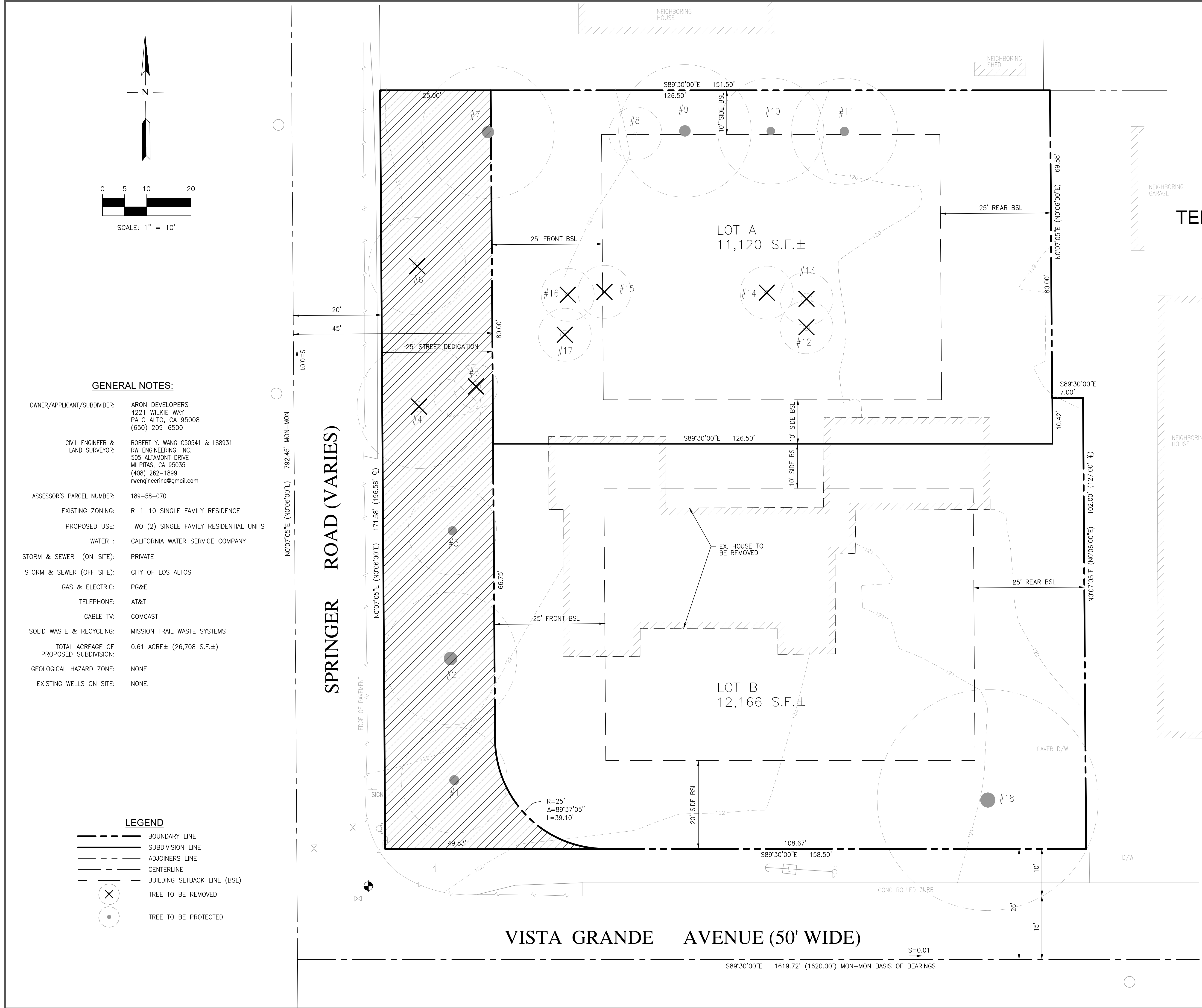


NO.	REVISION	DATE	BY

RW ENGINEERING, INC.
 CIVIL ENGINEERS • LAND SURVEYORS
 505 ALAMONT DRIVE
 MILPITAS, CA 95035
 (P) (408) 262-1899
 (FAX) (408) 824-5556
 rweengineering@gmail.com

TENTATIVE PARCEL MAP
 705 VISTA GRADE
 LOS ALTOS, CA



GENERAL NOTES:

- OWNER/APPLICANT/SUBDIVIDER: ARON DEVELOPERS
 4221 WILKIE WAY
 PALO ALTO, CA 95008
 (650) 209-6500
- CIVIL ENGINEER & LAND SURVEYOR: ROBERT Y. WANG C50541 & LS8931
 RW ENGINEERING, INC.
 505 ALAMONT DRIVE
 MILPITAS, CA 95035
 (408) 262-1899
 rweengineering@gmail.com
- ASSESSOR'S PARCEL NUMBER: 189-58-070
- EXISTING ZONING: R-1-10 SINGLE FAMILY RESIDENCE
- PROPOSED USE: TWO (2) SINGLE FAMILY RESIDENTIAL UNITS
- WATER: CALIFORNIA WATER SERVICE COMPANY
- STORM & SEWER (ON-SITE): PRIVATE
- STORM & SEWER (OFF SITE): CITY OF LOS ALTOS
- GAS & ELECTRIC: PG&E
- TELEPHONE: AT&T
- CABLE TV: COMCAST
- SOLID WASTE & RECYCLING: MISSION TRAIL WASTE SYSTEMS
- TOTAL ACREAGE OF PROPOSED SUBDIVISION: 0.61 ACRE± (26,708 S.F.±)
- GEOLOGICAL HAZARD ZONE: NONE.
- EXISTING WELLS ON SITE: NONE.

TREE INVENTORY

NO.	SPECIES	DBH	STATUS
1	DEODAR CEDAR	27.2"	TO BE PROTECTED
2	REDWOOD	26.5"	TO BE PROTECTED
3	REDWOOD	13.7"	TO BE PROTECTED
4	REDWOOD	26.1"	TO BE REMOVED
5	CANARY ISLAND PALM	26"	TO BE REMOVED
6	REDWOOD	23.9"	TO BE REMOVED
7	DOUGLAS FIR	34.3"	TO BE PROTECTED
8	CAMPBOR	9.1"	TO BE KEPT
9	REDWOOD	25.1"	TO BE PROTECTED
10	DOUGLAS FIR	24.4"	TO BE PROTECTED
11	DOUGLAS FIR	25.8"	TO BE PROTECTED
12	PINEAPPLE GUAVA	MULTI	TO BE REMOVED
13	PINEAPPLE GUAVA	MULTI	TO BE REMOVED
14	PINEAPPLE GUAVA	MULTI	TO BE REMOVED
15	PINEAPPLE GUAVA	MULTI	TO BE REMOVED
16	PINEAPPLE GUAVA	MULTI	TO BE REMOVED
17	PINEAPPLE GUAVA	MULTI	TO BE REMOVED
18	CORK OAK	41.4"	TO BE PROTECTED

LEGEND

- BOUNDARY LINE
- SUBDIVISION LINE
- ADJOINERS LINE
- CENTERLINE
- BUILDING SETBACK LINE (BSL)
- TREE TO BE REMOVED
- TREE TO BE PROTECTED

SHEET INDEX

- NO.**
- TM-1 SITE PLAN
 - TM-2 PRELIMINARY GRADING & DRAINAGE PLAN

SITE BENCHMARK:

SET NAIL
 ELEVATION=122.48 NAVD 1988 DATUM

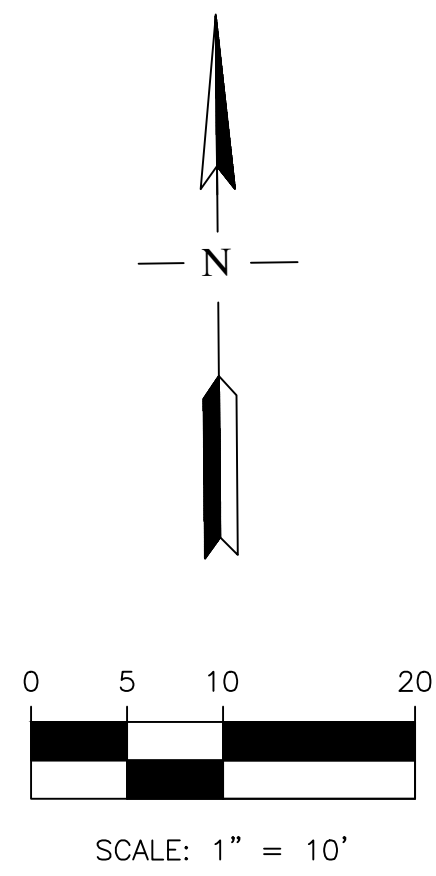
BASIS OF BEARINGS:

THE BEARING S89°30'00"E OF CENTERLINE OF ARROYO ROAD AS SHOWN ON MAP OF SUBDIVISION OF MONTEBELLO ACRES FILED IN BOOK "X" OF MAPS AT PAGE 1-3, SANTA CLARA COUNTY RECORDS.

705 VISTA GRANDE AVENUE
 LOS ALTOS, CA
 APN: 189-58-070
 SANTA CLARA COUNTY

TENTATIVE PARCEL MAP
 SITE PLAN

DATE: 12/21/2021
 SCALE: AS NOTED
 DESIGNED BY: RW
 DRAWN BY: RW
 SHEET NO. **1**
 OF 2 SHEETS



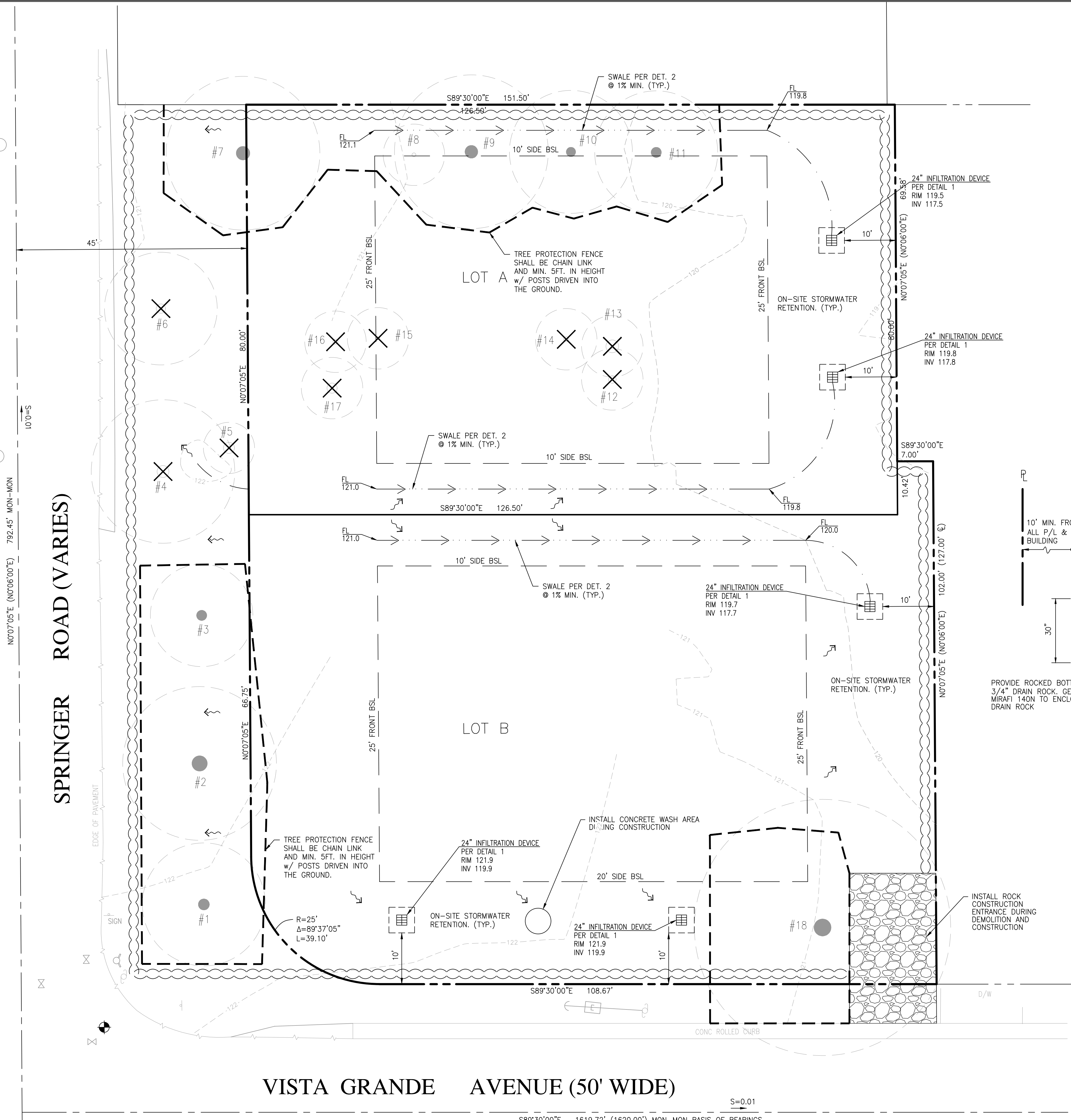
STORMWATER MANAGEMENT

DURING CONSTRUCTION:

- PUT IN PLACE BEST MANAGEMENT PRACTICES INCLUDING BUT NOT LIMITED:
1. STABILIZED CONSTRUCTION ENTRANCE
 2. FIBER ROLLS
 3. DROP INLET PROTECTION
 4. CONCRETE WASHOUT
 5. PROPER MATERIAL AND STOCKPILE STORAGE

POST CONSTRUCTION:

1. LOW IMPACT DEVELOPMENT (LID) MEASURES.
2. DIRECT ROOF DOWNSPOUTS TO LANDSCAPE AREAS
3. GRADE SHALLOW DEPRESSIONS TO COLLECT, PERCOLATE AND EVAPORATE RUNOFF FROM IMPERVIOUS SURFACES.

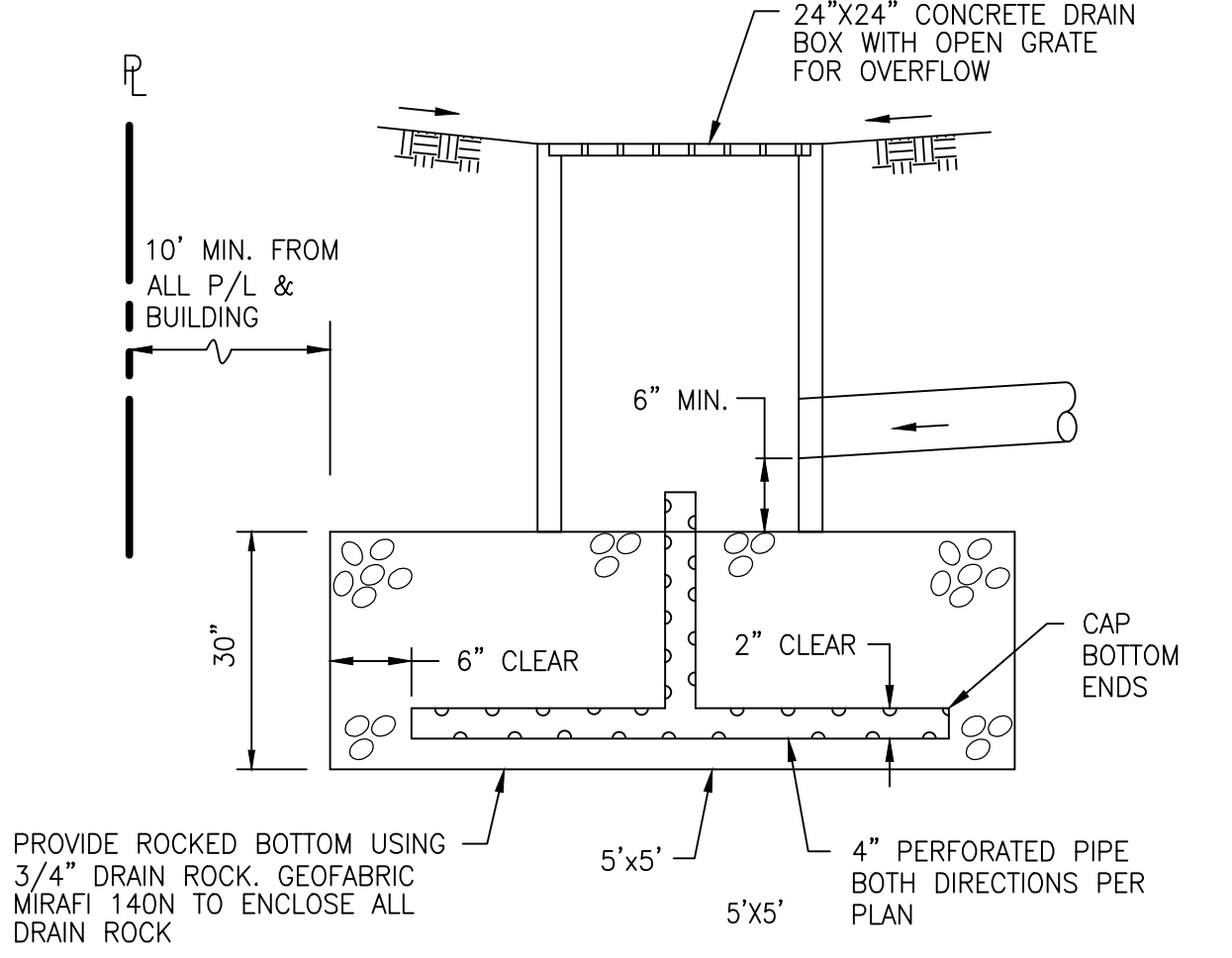


LEGEND

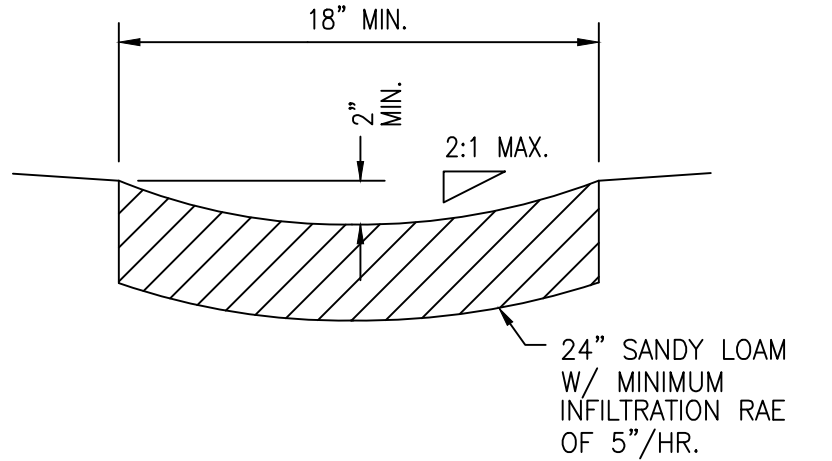
---	BOUNDARY LINE
---	SUBDIVISION LINE
---	ADJOINERS LINE
---	CENTERLINE
---	BUILDING SETBACK LINE
---	TREE PROTECTION FENCING
DS	DOWNSPOUT
---	SURFACE FLOW DIRECTION
---	SWALE
⊗	TREE TO BE REMOVED
⊙	TREE TO BE PROTECTED
OH	POWER POLE W/ OVERHEAD WIRE
⊗	WATER VALVE
○	MANHOLE-TYPE AS NOTED

ABBREVIATION

AC	ASPHALT CONCRETE
AD	AREA DRAIN
CONC	CONCRETE
C/G	CURB & GUTTER
DI	DRAIN INLET
DS	DOWNSPOUT
EX.	EXISTING
GFF	GARAGE FINISH GRADE
FF	FINISH FLOOR GRADE
FL	FLOW LINE GRADE
PUE	PUBLIC UTILITY EASEMENT
PVC	POLYVINYL CHLORIDE
SW	SIDEWALK
TC	TOP OF CURB



1 DETENTION BASIN
NOT TO SCALE



2 SWALE
NOT TO SCALE

NO.	REVISION	DATE	BY

RW ENGINEERING, INC.
 CIVIL ENGINEERS • LAND SURVEYORS
 505 ALAMONT DRIVE
 MILPITAS, CA 95035
 (P) (408) 262-1899
 (FAX) (408) 824-5556
 rweengineering@gmail.com

**705 VISTA GRANDE AVENUE
 LOS ALTOS, CA**
 SANTA CLARA COUNTY
 APN: 189-58-070

**TENTATIVE PARCEL MAP
 PRELIMINARY GRADING &
 DRAINAGE PLAN**

DATE: 12/21/2021
 SCALE: AS NOTED
 DESIGNED BY: RW
 DRAWN BY: RW
 SHEET NO.