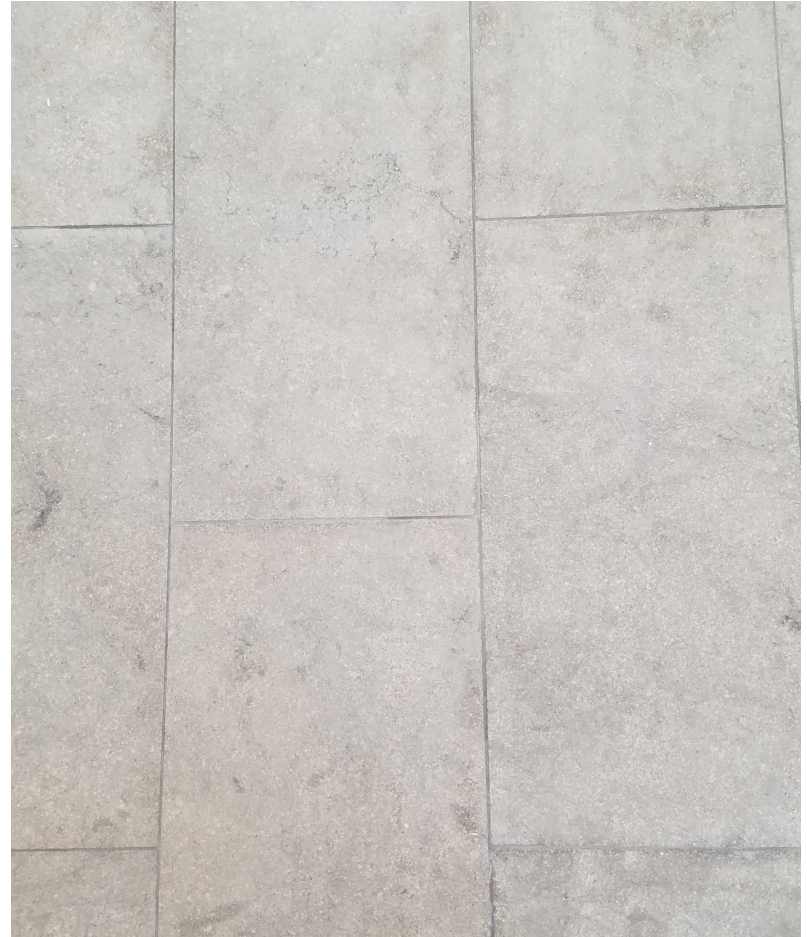


725 University Ave Finishes

Replace front porch pavers with same material used in side yard.



Existing front porch



Plaza Gray - Flamed and brushed

Front Porch Material



Existing Front Porch

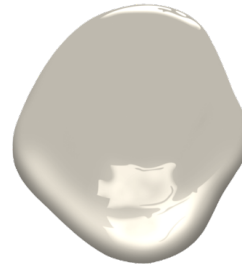
Re-face with pavers to match new surface
on front porch (same as side yard)



Plaza Gray - Flamed and brushed

Side of front porch

- Exterior trim color - BM: American White #2112-70
- Exterior trim color - BM: Thunder #AF-685
- Existing shingle material.



Exterior Materials

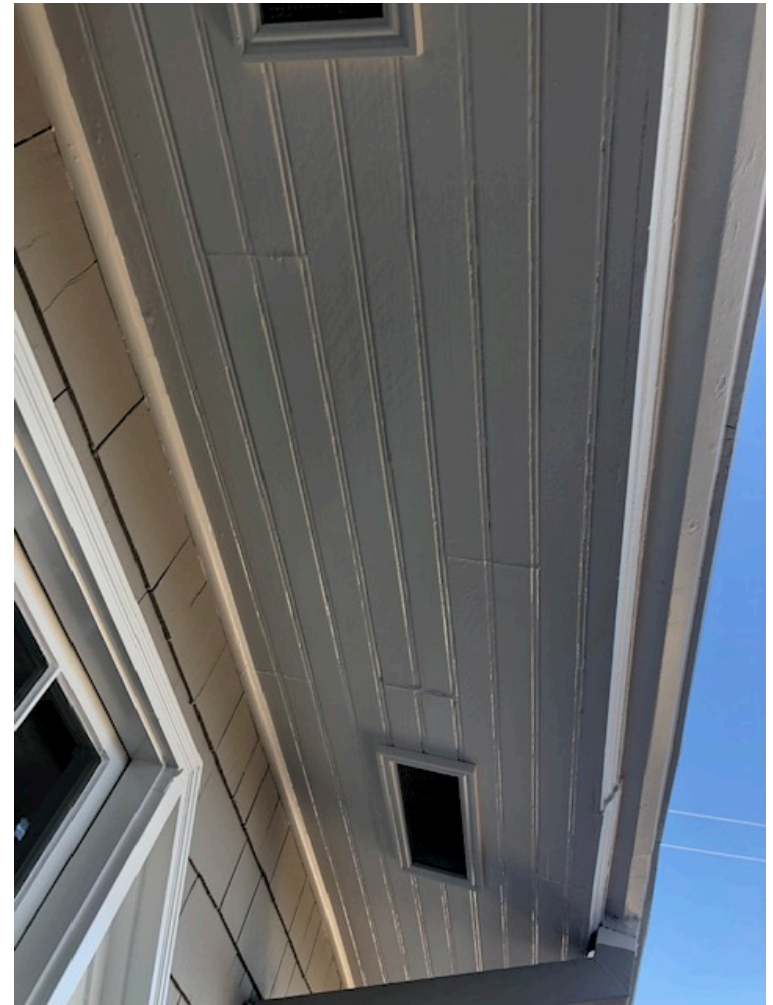
Door Trim on New French Door - BM American
White #2112-70



Proposed location for
French door

Back Porch

Existing eaves finish color: BM American White #2112-70



Eaves

Replace 6 windows with Marvin windows with a primed exterior and interior, brickmould, 2" extended sill nose, installation straps, SDL to simulate a DH.

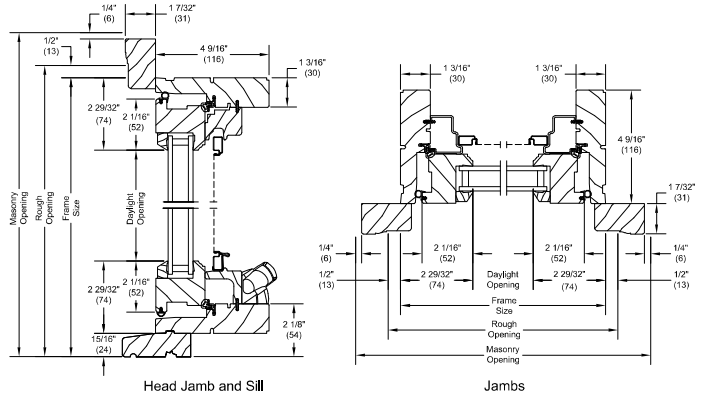


Ultimate Wood Casement, Awning and Picture

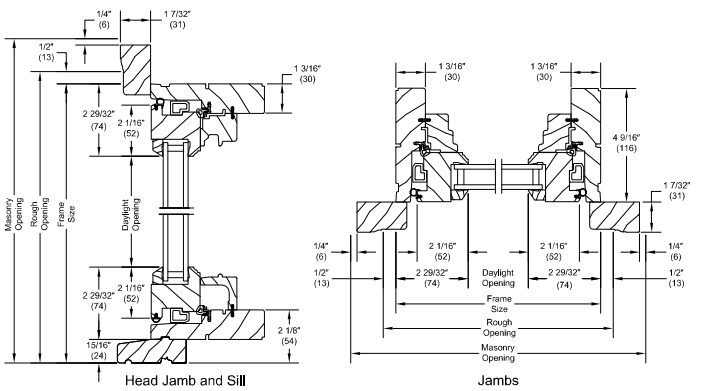
Section Details: Operating and Stationary / Picture - 1" (25) IG

Scale: 3" = 1' 0"

Operating



Stationary



Wit.

Thank You