



at&t

SITE ID:
SITE ADDRESS:

CRAN_RSFR_LOSAO_009
491 PATRICK WY
LOS ALTOS, CA 94022

PM#:
SITE TYPE:
POLE OWNER:
FA LOCATION:
USID:

TBD
BRAND NEW PG&E POLE #TBD
PG&E
14816598
198292



AT&T MOBILITY
5001 EXECUTIVE PARKWAY
SAN RAMON, CA 94583



36 EXECUTIVE PARK, SUITE 210
IRVINE, CA 92614

SITE INFORMATION

APPLICANT: AT&T MOBILITY
5001 EXECUTIVE PARKWAY
SAN RAMON, CA 94583

AGENT: SURESITE
36 EXECUTIVE PARK, SUITE 210
IRVINE, CA 92614

APN: ADJCT TO 167-27-026

SITE ADDRESS: 491 PATRICK WY
LOS ALTOS, CA 94022

COUNTY: SANTA CLARA

LATITUDE: 37° 23' 23.33" N (37.389814) NAD 83

LONGITUDE: 122° 07' 07.84" W (-122.118844) NAD 83

GROUND ELEVATION: ± 128.7' AMSL

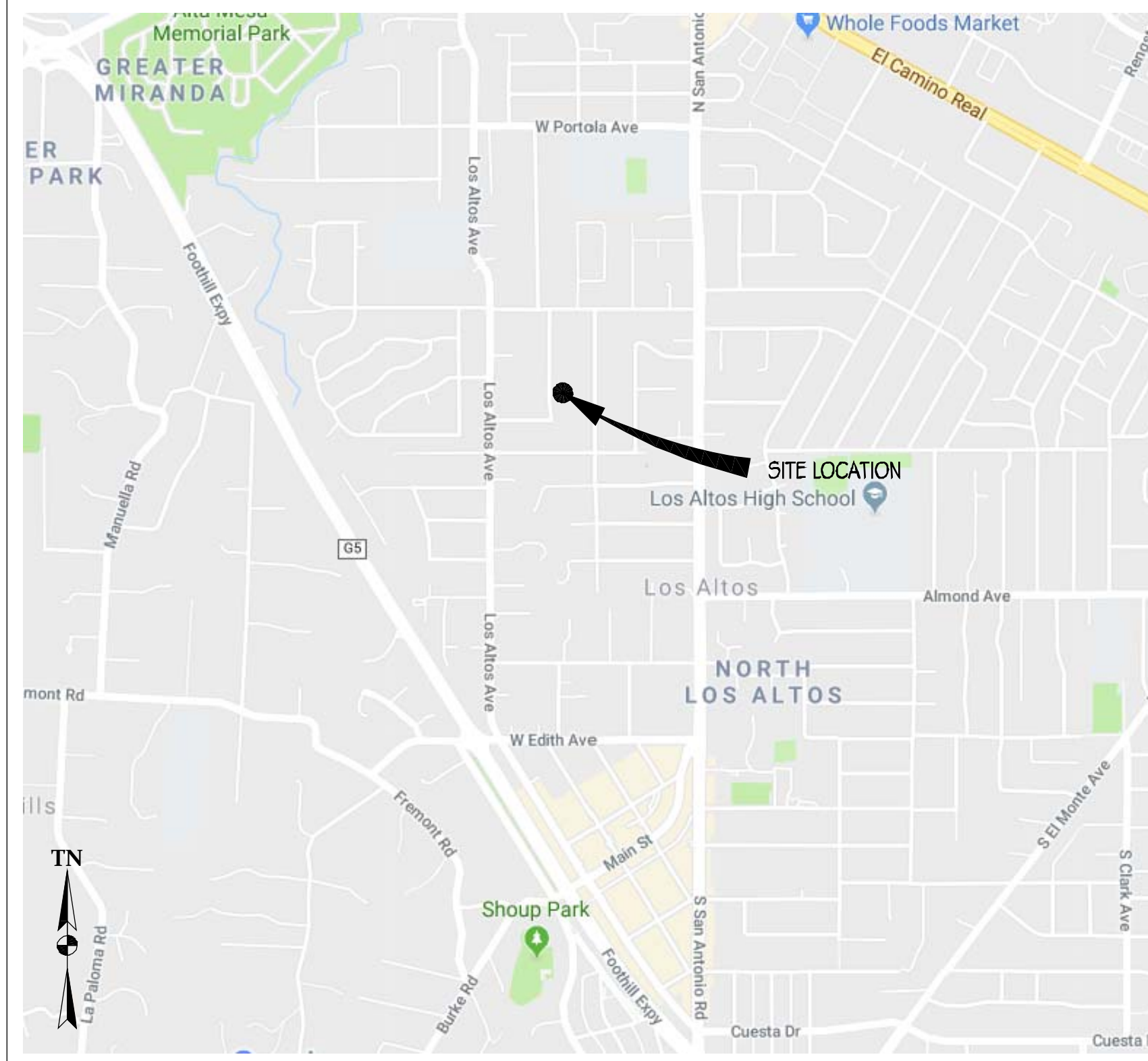
ZONING: PUBLIC ROW

ZONING JURISDICTION: CITY OF LOS ALTOS

PG&E SAP ID: 100509117

STREET CLASSIFICATION: LOCAL

VICINITY MAP



PROJECT TEAM

AGENT:
SURESITE
2033 GATEWAY PLACE, 6TH FLOOR
SAN JOSE, CA 95110
(949) 278-2962
L.MEINERS@SURE-SITE.COM

PROJECT MANAGERS:
CHRIS JOHNSON
ERICSSON
6140 STONERIDGE MALL RD, SUITE 350
PLEASANTON, CA 94588
(408) 796-8443
CHRISTOPHER.JOHNSON@ERICSSON.COM

ARCHITECT/ENGINEER OF RECORD:
BRET McCOMB
PRECISION DESIGN & DRAFTING, INC
11768 ATWOOD ROAD, SUITE #20
AUBURN, CA 95603
(530) 823-6546
BRET@PDND.COM

CONSTRUCTION MANAGER:
DELBERT BUTCHER
ERICSSON
6140 STONERIDGE MALL ROAD, SUITE 350
PLEASANTON, CA 94588
(720) 317-7282

PROJECT DESCRIPTION

THIS IS AN UNMANNED TELECOMMUNICATIONS FACILITY FOR AT&T WIRELESS CONSISTING OF THE INSTALLATION & OPERATION OF ANTENNAS & ASSOCIATED EQUIPMENT ON A (N) PG&E UTILITY POLE IN THE PUBLIC RIGHT OF WAY.

SCOPE OF WORK:

1. INSTALL (N) TELECOMMUNICATIONS EQUIPMENT BOXES ON A (N) PG&E UTILITY POLE. EQUIPMENT IS TO BE INSTALLED ON G095 COMPLIANT STANDOFF BRACKET & CONSISTS OF (1) ELECTRICAL METER, (1) LOAD CENTER/AC DISCONNECT, (1) CONCEALMENT BOX CONTAINING (1) RRU-4415 & (1) RRU-11 W/ PSU UNITS, (2) DIPLEXERS, & (1) KMW FX-OM2L1OH2-0GT CYLINDRICAL ANTENNA.
2. ALL EQUIPMENT, EQUIPMENT MOUNTING, CONDUITS, AND APPURTENANCES TO BE PAINTED TO MEET JURISDICTION APPROVAL.
3. UTILITY LINES BETWEEN (E) POINT OF CONNECTION & POLE TO BE UNDERGROUND AND/OR OVERHEAD.
4. FIBER CONNECTION TO BE SECURE UNDER SEPARATE ENCROACHMENT PERMIT.

DRAWING INDEX

SHEET NO:	SHEET TITLE
T-1	TITLE SHEET
T-2	GENERAL NOTES, LEGEND, & ABBREVIATIONS
A-1	SITE PLAN
A-2	EQUIPMENT PLAN & ANTENNA PLANS
A-3	ELEVATIONS
A-4	ELEVATIONS
A-5	DETAILS
A-6	DETAILS
E-1	SINGLE-LINE DIAGRAM & DETAILS
E-2	GROUNDING DIAGRAMS

CODE COMPLIANCE

- CONSTRUCTION WORKS & MATERIALS MUST COMPLY WITH ALL APPLICABLE NATIONAL, STATE & LOCAL CODES AS ADOPTED BY LOCAL JURISDICTION, INCLUDING BUT NOT LIMITED TO:
1. 2016 CALIFORNIA ADMINISTRATIVE CODE (INCL. TITLES 24 & 25)
 2. 2016 CALIFORNIA BUILDING CODE
 3. 2016 CALIFORNIA ELECTRICAL CODE
 4. 2016 CALIFORNIA MECHANICAL CODE
 5. 2016 CALIFORNIA PLUMBING CODE
 6. 2016 CALIFORNIA FIRE CODE
 7. LOCAL BUILDING CODES
 8. CITY/COUNTY ORDINANCES
 9. ANS/IEA-TIA-222-G

HANDICAP REQUIREMENTS

THIS FACILITY IS UNMANNED & NOT FOR HUMAN HABITATION. HANDICAPPED ACCESS & REQUIREMENTS ARE NOT REQUIRED IN ACCORDANCE WITH CALIFORNIA STATE ADMINISTRATIVE CODE, TITLE 24 PART 2, SECTION 1105B.3.4.2, EXCEPTION 1

DRIVING DIRECTIONS

DIRECTIONS FROM AT&T WIRELESS WALNUT CREEK OFFICE

FROM: 5001 EXECUTIVE PARKWAY, SAN RAMON, CA 94583
TO: 491 PATRICK WY, LOS ALTOS, CA 94022

1. HEAD NORTHEAST ON BISHOP DR TOWARD SUNSET DR 256 FT
2. TURN RIGHT ONTO SUNSET DR 0.1 MI
3. TURN RIGHT ONTO BOLLINGER CANYON RD 0.3 MI
4. MERGE ONTO I-680 S VIA THE RAMP TO SAN JOSE 0.3 MI
5. MERGE ONTO I-680 S 3.9 MI
6. CONTINUE STRAIGHT TO STAY ON I-680 S 17.5 MI
7. TAKE EXIT 12 FOR MISSION BLVD TOWARD I-880 0.2 MI
8. KEEP RIGHT AT THE FORK, FOLLOW SIGNS FOR MISSION BLVD 0.3 MI
9. MERGE ONTO CA-262 S/ MISSION BLVD 0.6 MI
10. TAKE THE CA-237 W EXIT TOWARD I-880 0.9 MI
11. MERGE ONTO I-880 S 3.1 MI
12. TAKE THE CA-237 W EXIT TOWARD MTN VIEW 0.9 MI
13. CONTINUE ONTO CA-237 W 8.4 MI
14. KEEP LEFT TO CONTINUE ON CA-237 W 0.5 MI
15. TURN RIGHT ON EL CAMINO REAL 2.0 MI
16. TURN LEFT ONTO DISTEL DR 0.2 MI
17. TURN RIGHT ONTO MARICH WAY 0.1 MI
18. TURN LEFT ONTO PANCHITA WAY 0.2 MI
19. TURN RIGHT ONTO ALVARADO AVE 0.3 MI
20. TURN LEFT ONTO N SAN ANTONIO RD 213 FT
21. TURN RIGHT ONTO PINE LN 0.3 MI
22. TURN LEFT ONTO PATRICK WY 0.2 MI

END AT: 491 PATRICK WAY, LOS ALTOS, CA 94022
ESTIMATED TIME: 49 MINS ESTIMATED DISTANCE: 40.4 MI

At all services & grounding trenches, provide "WARNING" tape at 12" below grade.

CALL
"CALL BEFORE YOU DIG"
811/800-227-2600
NATIONWIDE UNDERGROUND SERVICE ALERT

ADMINISTRATIVE REQUIREMENTS

CONTRACTOR SHALL VERIFY ALL PLANS & (E) DIMENSIONS & CONDITIONS ON THE JOB SITE & SHALL IMMEDIATELY NOTIFY THE ENGINEER IN WRITING OF ANY DISCREPANCIES BEFORE PROCEEDING WITH THE WORK OR BE RESPONSIBLE FOR SAME IF USING 11" X 17" PLOT. DRAWINGS WILL BE HALF SCALE.

PRECISION DESIGN
Drafting, INC.
Phone: (530) 823-6546 www.pdnd.com
11768 Atwood Rd, Suite 20 Auburn, CA 95603

THIS PLAN AND SPECIFICATIONS AS INSTRUMENTS OF SERVICE ARE AND SHALL REMAIN THE PROPERTY OF PRECISION DESIGN & DRAFTING, INC. THESE DRAWINGS AND SPECIFICATIONS SHALL NOT BE USED BY ANY PERSON OR ENTITY OTHER THAN THE CLIENT FOR ANY PROJECT OTHER THAN THAT FOR WHICH THEY WERE SPECIFICALLY PREPARED. CONSULTATION WITH THE CLIENT IS REQUIRED.



CRAN_RSFR_LOSAO_009

491 PATRICK WY
LOS ALTOS, CA 94022

ISSUE STATUS

△	DATE	DESCRIPTION
	06/14/18	CD 90%
	07/25/19	CD 100%

DRAWN BY: T.J. / B.L.

CHECKED BY: T. D'CARLO

APPROVED BY: B. McCOMB

DATE: 07/25/19

SHEET TITLE:

TITLE SHEET

SHEET NUMBER

T-1

GENERAL CONSTRUCTION NOTES

- PLANS ARE INTENDED TO BE DIAGRAMMATIC OUTLINE ONLY, UNLESS NOTED OTHERWISE. THE WORK SHALL INCLUDE FURNISHING MATERIALS, EQUIPMENT, APPURTENANCES AND LABOR NECESSARY TO COMPLETE ALL INSTALLATIONS AS INDICATED ON THE DRAWINGS.
- THE CONTRACTOR SHALL OBTAIN, IN WRITING, AUTHORIZATION TO PROCEED BEFORE STARTING WORK ON ANY ITEM NOT CLEARLY DEFINED OR IDENTIFIED BY THE CONTRACT DOCUMENTS.
- CONTRACTOR SHALL CONTACT USA (UNDERGROUND SERVICE ALERT) AT (800) 227-2600, FOR UTILITY LOCATIONS, 48 HOURS BEFORE PROCEEDING WITH ANY EXCAVATION, SITE WORK OR CONSTRUCTION.
- THE CONTRACTOR SHALL INSTALL ALL EQUIPMENT AND MATERIALS IN ACCORDANCE WITH MANUFACTURERS RECOMMENDATIONS UNLESS SPECIFICALLY INDICATED OTHERWISE, OR WHERE LOCAL CODES OR REGULATIONS TAKE PRECEDENCE.
- ALL CONSTRUCTION SHALL BE IN ACCORDANCE WITH THE CALIFORNIA REQUIREMENTS REGARDING EARTHQUAKE RESISTANCE, FOR, BUT NOT LIMITED TO, PIPING, FIXTURES, CEILING GRID, INTERIOR PARTITIONS, AND MECHANICAL EQUIPMENT. ALL WORK MUST COMPLY WITH LOCAL EARTHQUAKE CODES AND REGULATIONS.
- REPRESENTATIONS OF TRUE NORTH, OTHER THAN THOSE FOUND ON THE PLOT OF SURVEY DRAWINGS, SHALL NOT BE USED TO IDENTIFY OR ESTABLISH BEARING OF TRUE NORTH AT THE SITE. THE CONTRACTOR SHALL RELY SOLELY ON THE PLOT OF SURVEY DRAWING AND ANY SURVIVORS MARKINGS AT THE SITE FOR THE ESTABLISHMENT OF TRUE NORTH, AND SHALL NOTIFY THE ARCHITECT/ENGINEER PRIOR TO PROCEEDING WITH THE WORK. IS ANY DISCREPANCY IS FOUND BETWEEN THE CAREOUS ELEMENTS OF THE WORKING DRAWINGS AND THE TRUE NORTH ORIENTATION AS DEPICTED ON THE CIVIL SURVEY, THE CONTRACTOR SHALL ASSUME SOLE LIABILITY FOR ANY FAILURE TO NOTIFY THE ARCHITECT/ENGINEER.
- THE BUILDING DEPARTMENT ISSUING THE PERMITS SHALL BE NOTIFIED AT LEAST TWO WORKING DAYS PRIOR TO THE COMMENCEMENT OF WORK, OR AS OTHERWISE STIPULATED BY THE CODE ENFORCEMENT OFFICIAL HAVING JURISDICTION.
- DO NOT EXCAVATE OR DISTURB BEYOND THE PROPERTY LINES OR LEASE LINES, UNLESS OTHERWISE NOTED.
- ALL EXISTING UTILITIES, FACILITIES, CONDITIONS, AND THEIR DIMENSIONS SHOWN ON THE PLAN HAVE BEEN PLOTTED FROM AVAILABLE RECORDS. THE ARCHITECT/ENGINEER AND THE OWNER ASSUME NO RESPONSIBILITY WHATSOEVER AS TO THE SUFFICIENCY OR THE ACCURACY OF THE INFORMATION SHOWN ON THE PLANS, OR THE MANNER OF THEIR REMOVAL OR ADJUSTMENT. CONTRACTORS SHALL BE RESPONSIBLE FOR DETERMINING EXACT LOCATION OF ALL EXISTING UTILITIES AND FACILITIES PRIOR TO START OF CONSTRUCTION. CONTRACTORS SHALL ALSO OBTAIN FROM EACH UTILITY COMPANY DETAILED INFORMATION RELATIVE TO WORKING SCHEDULES AND METHODS OF REMOVING OR ADJUSTING EXISTING UTILITIES.
- CONTRACTOR SHALL VERIFY ALL EXISTING UTILITIES, BOTH HORIZONTAL AND VERTICALLY, PRIOR TO THE START OF CONSTRUCTION. ANY DISCREPANCIES OR DOUBTS AS TO THE INTERPRETATION OF PLANS SHOULD BE IMMEDIATELY REPORTED TO THE ARCHITECT/ENGINEER FOR RESOLUTION AND INSTRUCTION, AND NO FURTHER WORK SHALL BE PERFORMED UNTIL THE DISCREPANCY IS CHECKED AND CORRECTED BY THE ARCHITECT/ENGINEER. FAILURE TO SECURE SUCH INSTRUCTION MEANS CONTRACTOR WILL HAVE WORKED AT HIS/HER OWN RISK AND EXPENSE.
- ALL NEW AND EXISTING UTILITY STRUCTURES ON SITE AND IN AREAS TO BE DISTURBED BY CONSTRUCTION SHALL BE ADJUSTED TO FINISH ELEVATIONS PRIOR TO FINAL INSPECTION OF WORK.
- ANY DRAIN AND/OR FIELD TILE ENCOUNTERED/ DISRUPTED DURING CONSTRUCTION SHALL BE RETURNED TO ITS ORIGINAL CONDITION PRIOR TO COMPLETION OF WORK. SIZE, LOCATION AND TYPE OF ANY UNDERGROUND UTILITIES OR IMPROVEMENTS SHALL BE ACCURATELY NOTED AND PLACED ON "AS-BUILT" DRAWINGS BY GENERAL CONTRACTOR, AND ISSUED TO THE ARCHITECT/ENGINEER AT COMPLETION OF PROJECT.
- ALL TEMPORARY EXCAVATIONS FOR THE INSTALLATION OF FOUNDATIONS, UTILITIES, ETC., SHALL BE PROPERLY LAID BACK OR BRACED IN ACCORDANCE WITH CORRECT OCCUPATIONAL SAFETY AND HEALTH ADMINISTRATION (OSHA) REQUIREMENTS.
- INCLUDE MISC ITEMS PER AIAF WIRELESS SPECIFICATIONS.
- ALL EQUIPMENT LOGOS, OTHER THAN THOSE REQUIRED BY REGULATION (E.G. NODE IDENTIFICATION OR SHUTDOWN SIGNALS) OR PG&E REGULATIONS SHALL BE PAINTED OVER OR REMOVED. RAISED/DEPRESSED LOGOS OR TEXT ON EQUIPMENT (E.G. RUGS), IF PRESENT, TO BE SANDED OFF OR COVERED WITH STICKER, & THEN PAINTED OVER.
- FONDED RF W/AC MARKING SIGNAGE SHALL FACE OUT TO STREET WHEN PLACED IN FRONT OF OR NEAR A WINDOW. SIGNAGE SHALL FACE TOWARD THE BUILDING IF THERE IS NO WINDOW.
- ALL EQUIPMENT, INCLUDING ANTENNAS, MOUNTING STANDOFF BRACKETS, POLE EXTENSIONS, CONDUIT, METER, AND RADIOS SHALL BE PAINTED MESA BROWN USING A DURABLE OUTDOOR PAINT.
- CABLING SHALL BE MESA BROWN IN COLOR AND SHALL BE INSTALLED IN A TIDY MANNER WITHOUT EXCESS CABLE LOOPS, & SHALL BE HIDDEN FROM VIEW TO THE MAXIMUM EXTENT POSSIBLE.
- SUPPORT EQUIPMENT (E.G. METERS, DISCONNECT SWITCH, ETC) TO BE CLUSTERED VERTICALLY AS CLOSE AS TECHNICALLY FEASIBLE ON POLE.

GENERAL NOTES FOR EXISTING CELL SITES

- PRIOR TO THE SUBMISSION OF BIDS, THE BIDDING CONTRACTOR SHALL VISIT THE CELL SITE TO FAMILIARIZE WITH THE EXISTING CONDITIONS AND TO CONFIRM THAT THE WORK CAN BE ACCOMPLISHED AS SHOWN ON THE CONSTRUCTION DRAWINGS. ANY DISCREPANCY FOUND SHALL BE BROUGHT TO THE ATTENTION OF CONTRACTOR.
 - CONTRACTOR SHALL VERIFY ALL EXISTING DIMENSIONS AND CONDITIONS PRIOR TO COMMENCING ANY WORK. ALL DIMENSIONS OF EXISTING CONSTRUCTION SHOWN ON THE DRAWINGS MUST BE VERIFIED. CONTRACTOR SHALL NOTIFY THE CONTRACTOR OF ANY DISCREPANCIES PRIOR TO ORDERING MATERIAL OR PROCEEDING WITH CONSTRUCTION.
 - THE EXISTING CELL SITE IS IN FULL COMMERCIAL OPERATION. ANY CONSTRUCTION WORK BY CONTRACTOR SHALL NOT DISRUPT THE EXISTING NORMAL OPERATION. ANY WORK ON EXISTING EQUIPMENT MUST BE COORDINATED WITH CONTRACTOR. ALSO, WORK SHOULD BE SCHEDULED FOR AN APPROPRIATE MAINTENANCE WINDOW USUALLY IN LOW TRAFFIC PERIODS AFTER MIDNIGHT.
 - SINCE THE CELL SITE IS ACTIVE, ALL SAFETY PRECAUTIONS MUST BE TAKEN WHEN WORKING AROUND HIGH LEVELS OF ELECTROMAGNETIC RADIATION. EQUIPMENT SHOULD BE SHUTDOWN PRIOR TO PERFORMING ANY WORK THAT COULD EXPOSE THE WORKERS TO DANGER. PERSONAL RF EXPOSURE MONITORS ARE ADVISED TO BE WORN TO ALERT OF ANY DANGEROUS EXPOSURE LEVELS.
 - CONTRACTOR SHALL DETERMINE ACTUAL ROUTING OF CONDUIT, POWER AND T1 CABLES, GROUNDING CABLES AS SHOWN ON THE POWER AND GROUNDING PLAN DRAWING. CONTRACTOR SHALL UTILIZE EXISTING TRAYS AND/OR SHALL ADD NEW TRAYS AS NECESSARY. CONTRACTOR SHALL CONFIRM THE ACTUAL ROUTING WITH THE CONTRACTOR.
 - CONTRACTOR SHALL LEGALLY AND PROPERLY DISPOSE OF ALL SCRAP MATERIALS SUCH AS COAXIAL CABLES AND OTHER ITEMS REMOVED FROM THE EXISTING FACILITY. ANTENNAS REMOVED SHALL BE RETURNED TO THE OWNERS DESIGNATED LOCATION.
- APPLICABLE CODES, REGULATIONS, AND STANDARDS**
- CONTRACTORS WORK SHALL COMPLY WITH ALL APPLICABLE NATIONAL, STATE, AND LOCAL CODES AS ADOPTED BY THE LOCAL AUTHORITY HAVING JURISDICTION (AHJ) FOR THE LOCATION.
 - THE EDITION OF THE AHJ ADOPTED CODES AND STANDARDS IN EFFECT ON THE DATE OF CONTRACT AWARD SHALL GOVERN THE DESIGN.
 - CONTRACTORS WORK SHALL COMPLY WITH THE LATEST EDITION OF THE FOLLOWING STANDARDS:
 - AMERICAN CONCRETE INSTITUTE (ACI) 318, BUILDING CODE REQUIREMENTS FOR STRUCTURAL CONCRETE
 - AMERICAN INSTITUTE OF STEEL CONSTRUCTION (AISC), MANUAL OF STEEL CONSTRUCTION, ASD, NINTH EDITION
 - TELECOMMUNICATIONS INDUSTRY ASSOCIATION (TIA) 222-F, STRUCTURAL STANDARD FOR STRUCTURAL ANTENNA TOWER AND ANTENNA SUPPORTING STRUCTURES
 - INSTITUTION FOR ELECTRICAL AND ELECTRONICS ENGINEERS (IEEE) 81, GUIDE FOR MEASURING EARTH RESISTIVITY, GROUND IMPEDANCE, AND EARTH SURFACE POTENTIALS OF A GROUND SYSTEM IEEE (1999) RECOMMENDED PRACTICE FOR POWERING AND GROUNDING OF ELECTRICAL EQUIPMENT
 - IEEE C62.41, RECOMMENDED PRACTICES ON SURGE VOLTAGES IN LOW VOLTAGE AC POWER CIRCUITS (FOR LOCATION CATEGORY 'C3' AND 'HIGH SYSTEM EXPOSURE')
 - TIA 607 COMMERCIAL BUILDING GROUNDING AND BONDING REQUIREMENTS FOR TELECOMMUNICATIONS AND TELCORDIA GR-63 NETWORK EQUIPMENT-BUILDING SYSTEM (NEBS); PHYSICAL PROTECTION
 - TELCORDIA GR-347 CENTRAL OFFICE POWER WIRING
 - TELCORDIA GR-1275 GENERAL INSTALLATION REQUIREMENTS
 - TELCORDIA GR-1503 COAXIAL CABLE CONNECTIONS
 - ANY AND ALL OTHER LOCAL & STATE LAWS AND REGULATIONS
 - FOR ANY CONFLICTS BETWEEN SECTIONS OF LISTED CODES AND STANDARDS REGARDING MATERIAL, METHODS OF CONSTRUCTION, OR OTHER REQUIREMENTS, THE MOST RESTRICTIVE SHALL GOVERN. WHERE THERE IS CONFLICT BETWEEN A GENERAL REQUIREMENT AND SPECIFIC REQUIREMENT, THE SPECIFIC REQUIREMENT SHALL GOVERN.

GENERAL TRENCHING NOTES

- MAINTAIN 40" MINIMUM COVER FOR ALL ELECTRICAL CONDUITS.
- MAINTAIN 30" MINIMUM COVER FOR ALL TELECOMMUNICATIONS CONDUITS.
- MINIMUM 1" SAND SHADING BELOW CONDUITS, AND 6" COVERING ON TOP OF CONDUITS REQUIRED.
- ALL ELECTRICAL CONDUITS FROM POWER COMPANY FROM ANY POLE, TRANSFORMER OR OTHER LOCATIONS WILL BE SLURRY BACKFILLED.
- IN STREET SLURRY TO GRADE AND MILL DOWN 1-1/2" FOR AC CAP.
- IN DIRT SLURRY 1" FROM GRADE AND FILL 95% COMPACTION NATIVE SOIL FOR BACKFILL TAP
- WARNING TAPE TO BE PLACED IN TRENCH 12" ABOVE ALL CONDUITS AND #1 & 6 WARNING TAPE ABOVE RING.

GENERAL GROUNDING NOTES

- 5/8" x 10' ROD, CAD WELD BELOW GRADE
- GROUND TESTED AT 5 OHMS OR LESS.
- #2 GROUND AND BOND WIRE
- GROUND 2" MIN FROM POLE.
- PLACE 3 #10 GA WIRES FROM TESCO BREAKER TO PBD OR STRONG BOX.
- WOOD MOULDING, STAPLED EVERY 3" AND AT EACH END, UNLESS OTHERWISE NOTED.

GENERAL CONDUIT NOTES

- ALL CONDUITS WILL BE MANDRELED AND EQUIPPED WITH 3/8" PULL ROPE.
- SCHEDULE 40 CONDUIT FOR UNDERGROUND USE.
- SCHEDULE 80 CONDUIT FOR RISER USE.
- 2" GALVANIZED STEEL CONDUIT FOR ANY CONDUIT UNDER 3", STUB UP 10" THEN CONVERT TO SCHEDULE 80.
- CONVERT 4" CONDUIT TO 3" AT BASE OF POLE.
- CONTRACTOR TO STUB UP POLE 10" w/ 3" POWER CONDUIT. POWER COMPANY TO CONVERT FROM 3" STUBS SCHEDULE 80 TO 2" SCHEDULE 80 FROM TOP OF STUB UP.

TYPICAL R.O.W. POLE CONSTRUCTION NOTES

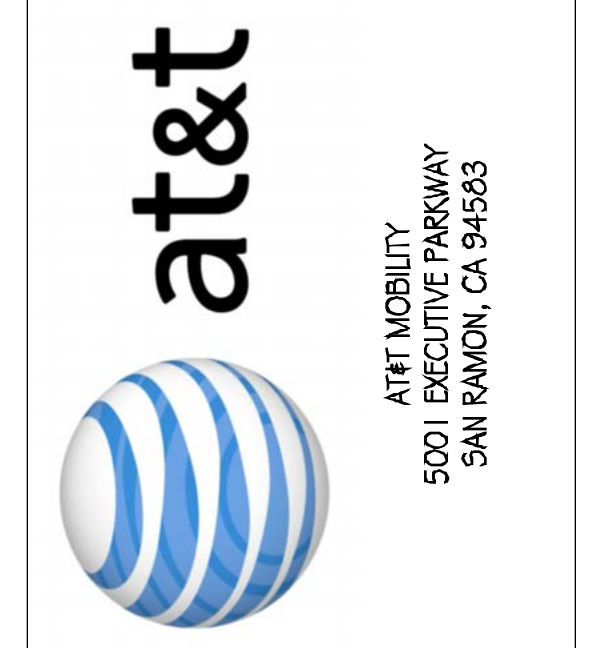
- CABLE NOT TO IMPEDE 15' CLEAR SPACE OFF POLE FACE.
- ALL CLIMB STEPS NEXT TO CONDUIT SHALL HAVE EXTENDED STEPS.
- NO BOLT THREADS TO PROTRUDE MORE THAN 1-1/2"
- ALL HOLES IN POLE LEFT FROM REARRANGEMENT OF CLIMBERS TO BE FILLED.
- 90° SHORT SWEEPS UNDER ANTENNA ARM, ALL CABLES MUST TRANSITION ON THE INSIDE OR BOTTOM OF THE ARM (NO CABLE ON TOP OF ARM).
- USE 90° CONNECTOR AT CABLE CONNECTION FOR OMNI DOWN ANTENNAS.
- USE CABLE CLAMPS TO SECURE CABLE TO ARMS, PLACE 2" T-MOBILE CABLE I.D. TAGS ON BOTH SIDES OF ARMS.
- USE 1/2" DIA. CABLE ON ANTENNAS UNLESS OTHERWISE SPECIFIED.
- FILL VOID AROUND CABLES AT CONDUIT OPENING WITH FOAM SEALANT TO PREVENT WATER INTRUSION.

ABBREVIATIONS

A	AMPERE	HT	HEIGHT
AB	ANCHOR BOLT	ICB	ISOLATED COPPER GROUND BUSH
ABV	ABOVE	IN, (I)	INCHES
ACCA	ANTENNA CABLE COVER ASSEMBLY	INT	INTERIOR
ADD	ADDITIONAL	LB, (#)	POUNDS
AFF	ABOVE FINISHED FLOOR	LAG	LAG BOLTS
AFG	ABOVE FINISHED GRADE	LF	LINEAR FEET (FOOT)
AG	AMPERE INTERRUPTING CAPACITY	LEN	LENGTH
ALUM	ALUMINUM	LTH	LONGITUDINAL
ALT	ALTERNATE	LP5	LOW PRESSURE SODIUM
ANT	ANTENNA	MAS	MAXIMUM
APPROX	APPROXIMATELY	MAX	MAXIMUM
ARCH	ARCHITECTURAL	MB	MACHINE BOLT
AT	AMPERE TAP	MECH	MECHANICAL
AWG	AMERICAN WIRE GAUGE	MFR	MANUFACTURER
BATT	BATTERY	MIN	MINIMUM
BD	BOARD	MISC	MISCELLANEOUS
BLDG	BUILDING	MNL	MANUAL
BLK	BLOCK	MNTD	MOUNTED
BLDG	BLOCKING	MNTG	MOUNTING
BM	BEAM	MTL	METAL
BN	BOUNDARY NAILING	MTS	MANUAL TRANSFER SWITCH
BK	BRAND	N	NEUTRAL
BKRK	BREAKER	NI	NEW
BTOW	BARE TINNED COPPER WIRE	NI	NATIONAL ELECTRICAL MANUFACTURERS ASSOC.
BTS	BASE TRANSMISSION SYSTEM	NO, (#)	NUMBER
BOF	BOTTOM OF FOOTING	NTS	NOT TO SCALE
BU	BACK UP CABINET	OH	OVERHEAD
C	CONDUIT	OC	ON CENTER
CAB	CABINET	OPNG	OPENING
CANT	CANTILEVERED	P	POLE
CB	CIRCUIT BREAKER	PCC	PREFCAST CONCRETE
CP	CAST IN PLACE	PCS	PERSONAL COMMUNICATION SERVICES
CR	CIRCUIT	PH	PHASE
CLG	CLEUNG	PLY	PLYWOOD
CLR	CLEAR	PNLBD	PANELBOARD
COL	COLUMN	PFC	POWER PROTECTION CABINET
CONC	CONCRETE	PFC	PRIMARY RADIO CABINET
CONN	CONNECTION(OR)	PRM	PRIMARY
CONST	CONSTRUCTION	PSF	POUNDS PER SQUARE FOOT
CONT	CONTINUOUS	PSI	POUNDS PER SQUARE INCH
J	JOINT	PT	PRESSURE TREATED
DL	DOUBLE	PWR	POWER (CABINET)
DEM	DEMAND	QTY	QUANTITY
DEPT	DEPARTMENT	RAD, (R)	RADIUS
DF	DOUGLAS FIR	RCP	RECEPTACLE
DM	DIMENSION	RFP	REFINISH
DIAG	DIAGONAL	REINF	REINFORCEMENT(ING)
DN	DOWN	REQD	REQUIRED
DWG	DRAWINGS	RIGD	RIGID GALVANIZED STEEL
DWL	DOWELS	SAF	SAFETY
EAC	EACH	SCH	SCHEDULE
ER	EMERGENCY GENERATOR RECEPTACLE	SCH	SOFT DRAWN BARE COPPER
EL	ELEVATION	SEC	SECONDARY
ELEV	ELEVATION	SH	SHIELD
ELEV	ELEVATION	SIM	SIMILAR
EMT	ELECTRICAL METALLIC TUBING	SN	SOLID NEUTRAL
EN	EDGE NAIL	SPEC	SPECIFICATIONS
ENCL	ENCLOSURE	SQ	SQUARE
ENGR	ENGINEER	SP	STAINLESS STEEL
EQ	EQUAL	STD	STANDARD
EQ	EQUAL	STL	STEEL
EXST, (D)	EXISTING	STRUC	STRUCTURAL
EXP	EXPANSION	SURF	SURFACE
EXT	EXTERIOR	SW	SWITCH
FAB	FABRICATION(OR)	TEL	TELEPHONE </td
FAC	FACTOR	TEMP	TEMPERARY
FA	FIRE ALARM	THICK	THICKNESS
FF	FINISH FLOOR	TN	TOE NAIL
FG	FINISH GRADE	TOA	TOP OF ANTENNA
FN	FINISHED	TOC	TOP OF CURB
FLR	FLOOR	TOP	TOP OF FOUNDATION
FLUR	FLUORESCENT	TOP	TOP OF PLATE (PARAPET)
FM	FOUNDATION	TOS	TOP OF STEEL
FOC	FACE OF CONCRETE	TOW	TOP OF WALL
FOM	FACE OF MASONRY	TP	TYPICAL
FOS	FACE OF STUD	UG	UNDERGROUND
FOW	FACE OF WALL	UL	UNDERWRITERS LABORATORY INC.
FP	FINISH SURFACE	UNO	UNLESS NOTED OTHERWISE
FT, (D)	FOOT (FEET)	VOL	VOLT ALTERNATING CURRENT
FTG	FOOTING	VIF	VERIFY IN FIELD
FU	FUSE	W	WAIT OR WIRE
G	GROUND	WD	WIDEN(TH)
GR	GROWTH (CABINET)	WI	WITH
GEN	GENERATOR	WID	WIDEN(TH)
GALV	GALVANIZED	WO	WOOD
GFCI	GROUND FAULT CIRCUIT INTERRUPTER	WO	WOOD
GLB	GLUE LAMINATED BEAM	WP	WEATHERPROOF
GND	GROUND	WT	WEIGHT
GPS	GLOBAL POSITIONING SYSTEM	XFR	TRANSFER
GRD	GROUND	YMR	TRANSFORMER
HDC	HARD DRAWN COPPER WIRE	Z	CROSS-LINE POLYETHYLENE
HDG	HOT-DIP GALVANIZED	C	CENTERLINE
HDR	HANGER	E	PLATE
HGR	HANGER		
HPS	HIGH PRESSURE SODIUM		

SYMBOLS LEGEND

	NEW ANTENNA		GROUT OR PLASTER		TELCO RUN
	EXISTING ANTENNA		(B) BRICK		POWER/TELCO RUN
	GROUND ROD		(M) MASONRY		GROUNDING CONDUCTOR
	GROUND BUSS BAR		CONCRETE		GROUNDING CONDUCTOR
	MECHANICAL GRND. CONN.		EARTH		GROUNDING CONDUCTOR
	GROUND ACCESS WELL		GRAVEL		CONDUIT UNDERGROUND
	ELECTRIC BOX		PLYWOOD		FUSE, SIZE AND TYPE AS INDICATED.
	TELEPHONE BOX		SAND		SAFETY SWITCH, 2P-240V-60A W/60A FUSES, NEMA 3R ENCLOSURE, SQ D CATALOG NO. H222NRB
	LIGHT POLE		WOOD CONT.		MANUAL TRANSFER SWITCH, 2P-240V-200A, NO FUSE, NEMA 3R ENCLOSURE
	FND. MONUMENT		WOOD BLOCKING		LIGHTING FIXTURE, FLUORESCENT, 1 (0.94' x 4'-0", 2/40W, SURFACE MOUNTING TYPE, HUBBELL LIGHTING CATALOG #WSW232T
	SPOT ELEVATION		STEEL		LIGHTING FIXTURE, FLUORESCENT, 1 (0.94' x 8'-0", 2/95W, SURFACE MOUNTING TYPE, HUBBELL LIGHTING CATALOG #TW5M232T
	SET POINT		CENTERLINE		LIGHTING FIXTURE, HIGH PRESSURE SODIUM, 1/70W, WALL MOUNTING TYPE, HUBBELL LIGHTING CATALOG #NRG-307 OR 1/50W, HUBBELL LIGHTING CATALOG #NRG-121
	REVISION		PROPERTY LINE		EXIT SIGN, THERMOPLASTIC LED, SINGLE FACE, UNIVERSAL MOUNTING, W/BATTERY PACK, HUBBELL LIGHTING CATALOG #FRB
	GRID REFERENCE		MATCH LINE		EMERGENCY LIGHTING, 2/50W, HUBBELL LIGHTING CATALOG #HEG-50-2-R91
	DETAIL REFERENCE		WORK POINT		LIGHTING FIXTURE, INCANDESCENT, 1/100W, WALL MOUNTING TYPE, HUBBELL LIGHTING CATALOG #BRL-100-06-1
	ELEVATION REFERENCE		GROUND CONDUCTOR		LIGHTING FIXTURE, HALOGEN, QUARTZ, 1/300W, HUBBELL LIGHTING CATALOG #QL-505
	SECTION REFERENCE		COAXIAL CABLE		POWER RUN
			OVERHEAD SERVICE CONDUCTORS		
			CHAIN LINK FENCING		
			OVERHEAD TELEPHONE/OVERHEAD POWER		
			OVERHEAD TELEPHONE LINE		
			OVERHEAD POWER LINE		
			POWER RUN		



PRECISION DESIGN
Drafting, INC.
 Phone: (530) 823-6546 www.pdrd.com
 11768 Alwood Rd. Suite 20 Auburn, CA 95603

REGISTERED PROFESSIONAL ENGINEER
 BRETT A. MCCOMB
 CIVIL
 STATE OF CALIFORNIA
 C 69891

CRAN_RSFR_LO5A0_009

491 PATRICK WY
 LOS ALTOS, CA 94022

ISSUE STATUS

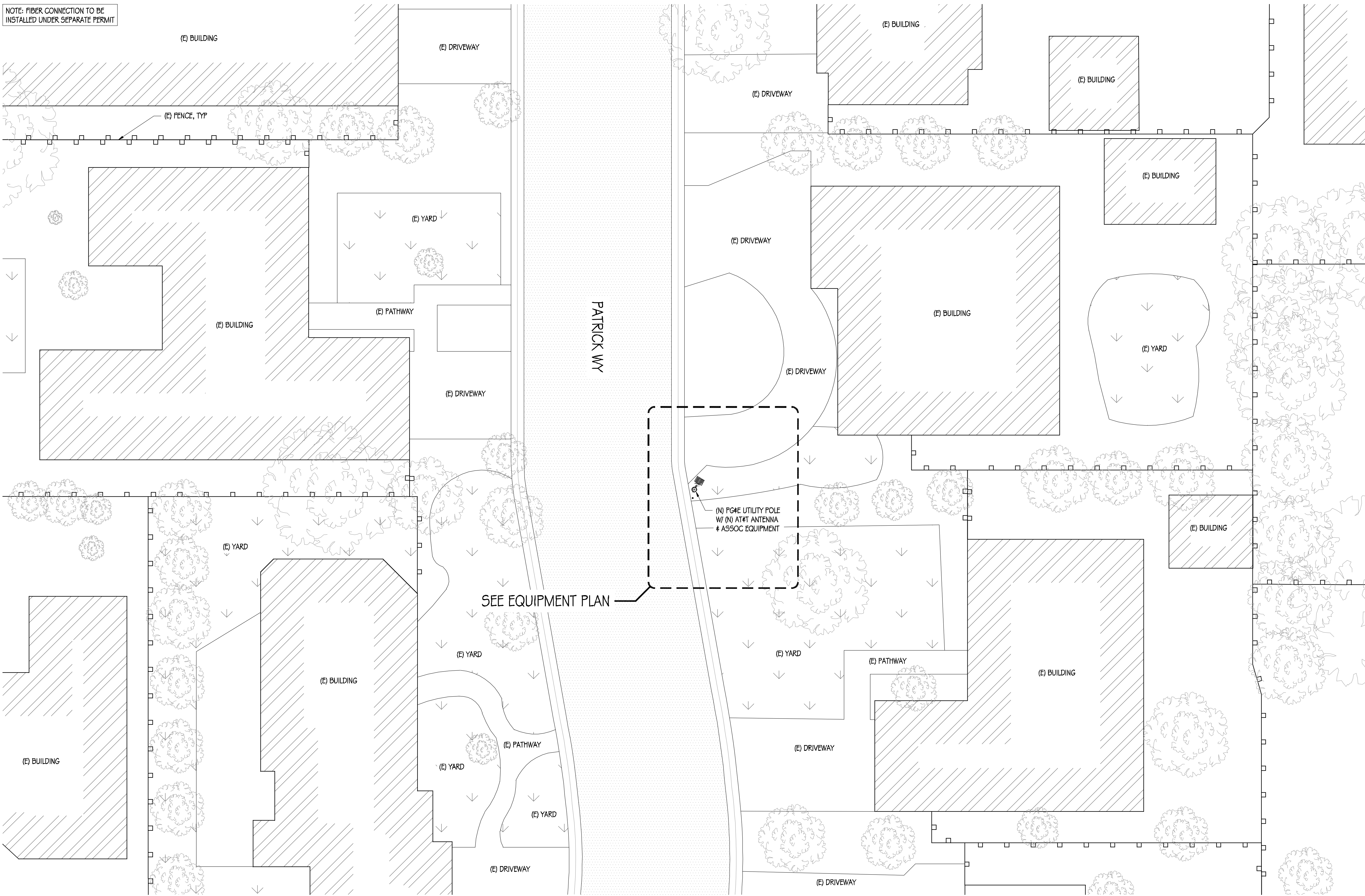
△	DATE	DESCRIPTION
	06/14/18	CD 90%
	07/25/19	CD 100%

DRAWN BY: T.J. / B.L.
 CHECKED BY: T. D'CARLO
 APPROVED BY: B. McCOMB
 DATE: 07/25/19

SHEET TITLE:
 GENERAL NOTES, LEGEND,
 & ABBREVIATIONS

SHEET NUMBER
 T-2

NOTE: FIBER CONNECTION TO BE INSTALLED UNDER SEPARATE PERMIT



PATRICK WY

(N) PG&E UTILITY POLE
W/ (N) AT&T ANTENNA
ASSOC EQUIPMENT

SEE EQUIPMENT PLAN



SITE PLAN



AT&T MOBILITY
5001 EXECUTIVE PARKWAY
SAN RAMON, CA 94583



36 EXECUTIVE PARK, SUITE 210
IRVINE, CA 92614

PRECISION DESIGN
Drafting, Inc.
Phone: (530) 823-6546 www.pdnd.com
11768 Alwood Rd, Suite 20 Auburn, CA 95603

THESE PLANS AND SPECIFICATIONS AS INSTRUMENTS OF SERVICE ARE AND SHALL REMAIN THE PROPERTY OF PRECISION DESIGN AND DRAFTING, INC. NO PART OF THESE PLANS OR SPECIFICATIONS SHALL BE REPRODUCED OR TRANSMITTED IN ANY FORM OR BY ANY MEANS, ELECTRONIC OR MECHANICAL, INCLUDING PHOTOCOPYING, RECORDING, OR BY ANY INFORMATION STORAGE AND RETRIEVAL SYSTEM, WITHOUT THE WRITTEN PERMISSION OF PRECISION DESIGN AND DRAFTING, INC.



CRAN_RSFR_LO5A0_009

491 PATRICK WY
LOS ALTOS, CA 94022

ISSUE STATUS

△	DATE	DESCRIPTION
	06/14/18	CD 90%
	07/25/19	CD 100%

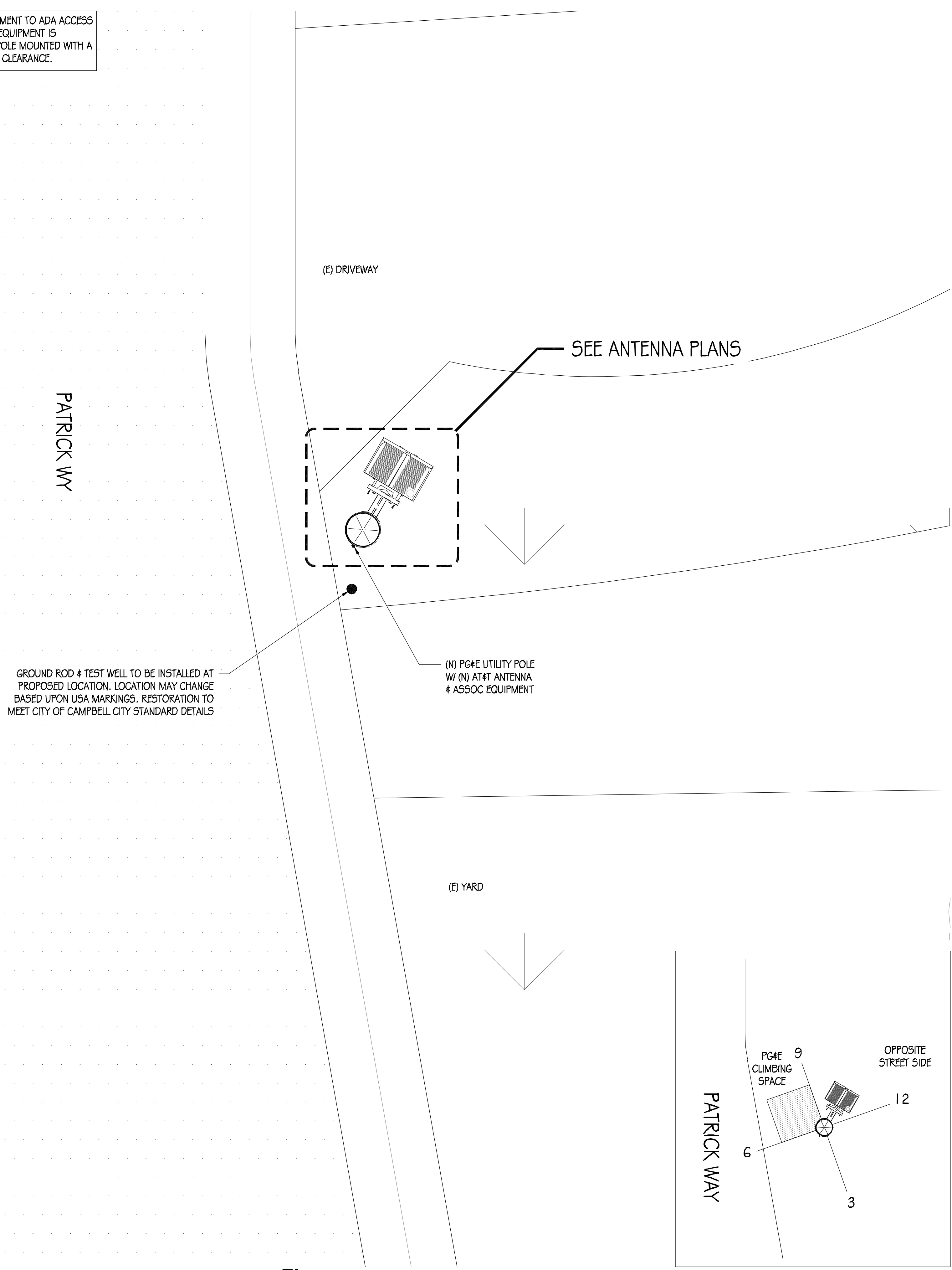
DRAWN BY: T.J. / B.L.
CHECKED BY: T. DICARLO
APPROVED BY: B. McCOMB
DATE: 07/25/19
SHEET TITLE:

SITE PLAN

SHEET NUMBER

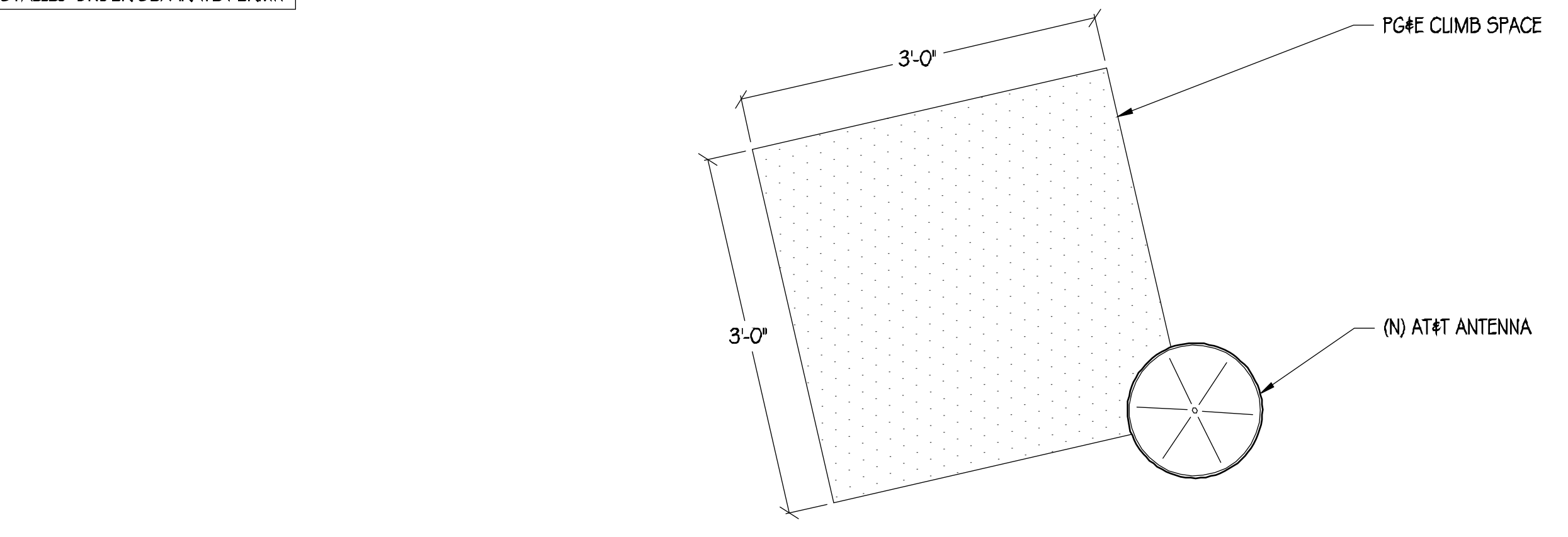
A-1

NOTE: NO INFRINGEMENT TO ADA ACCESS TO OCCUR AS ALL EQUIPMENT IS PROPOSED TO BE POLE MOUNTED WITH A MINIMUM VERTICAL CLEARANCE.

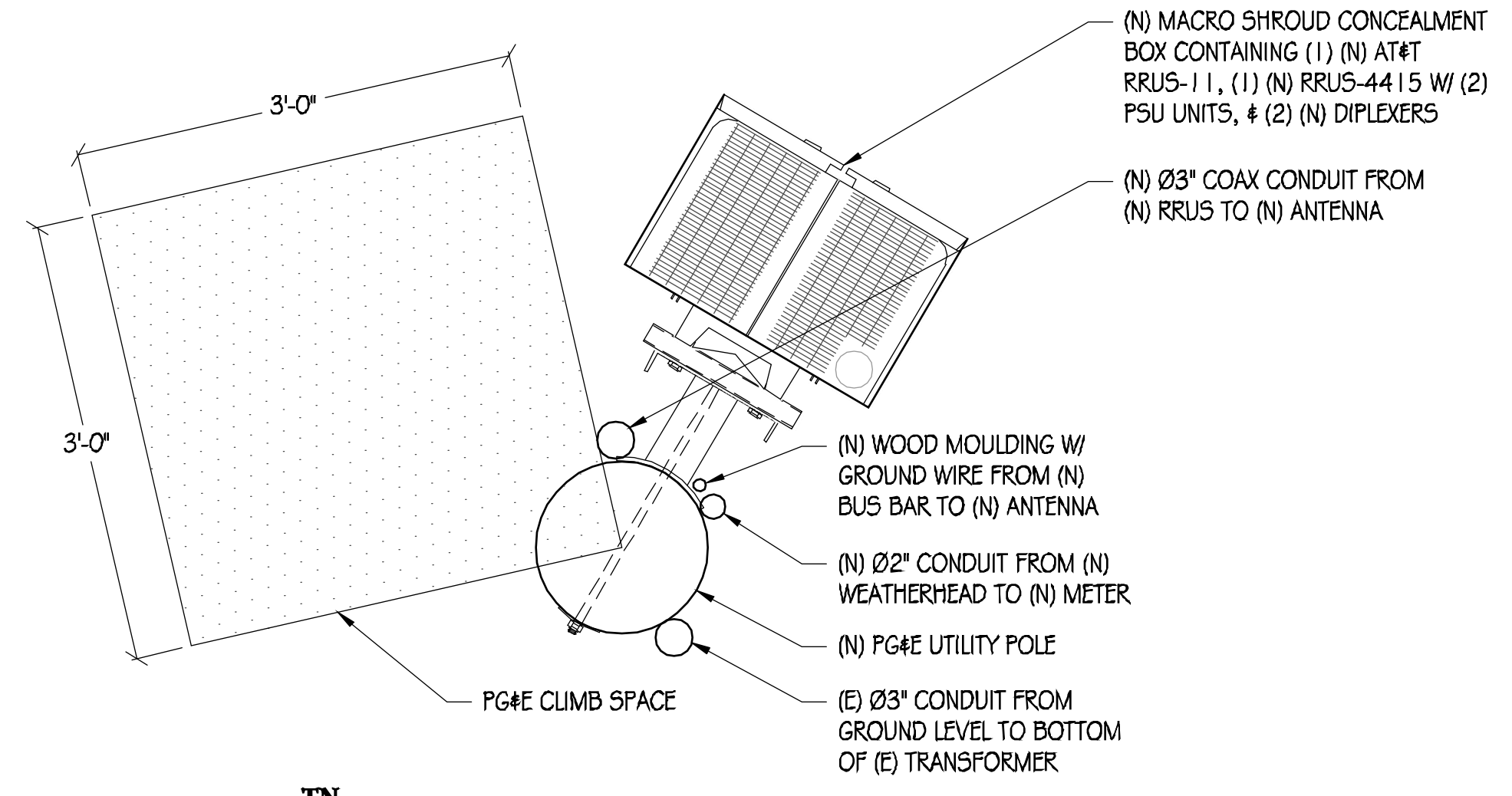


TN
1/2"=1'
EQUIPMENT PLAN

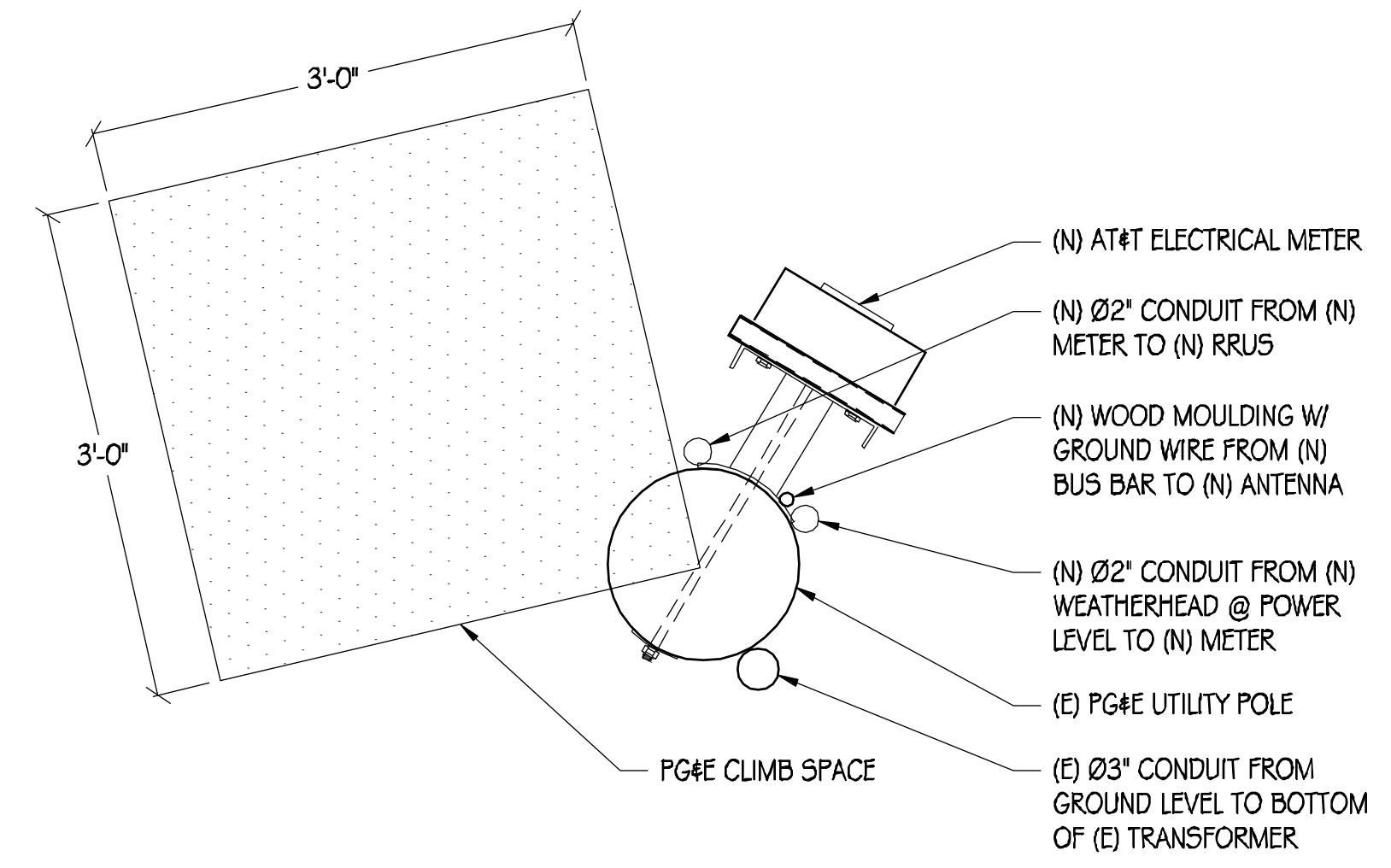
NOTE: FIBER CONNECTION TO BE INSTALLED UNDER SEPARATE PERMIT



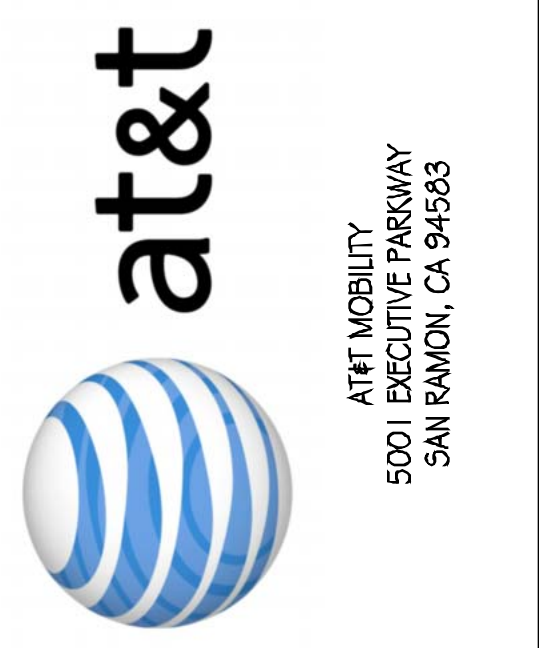
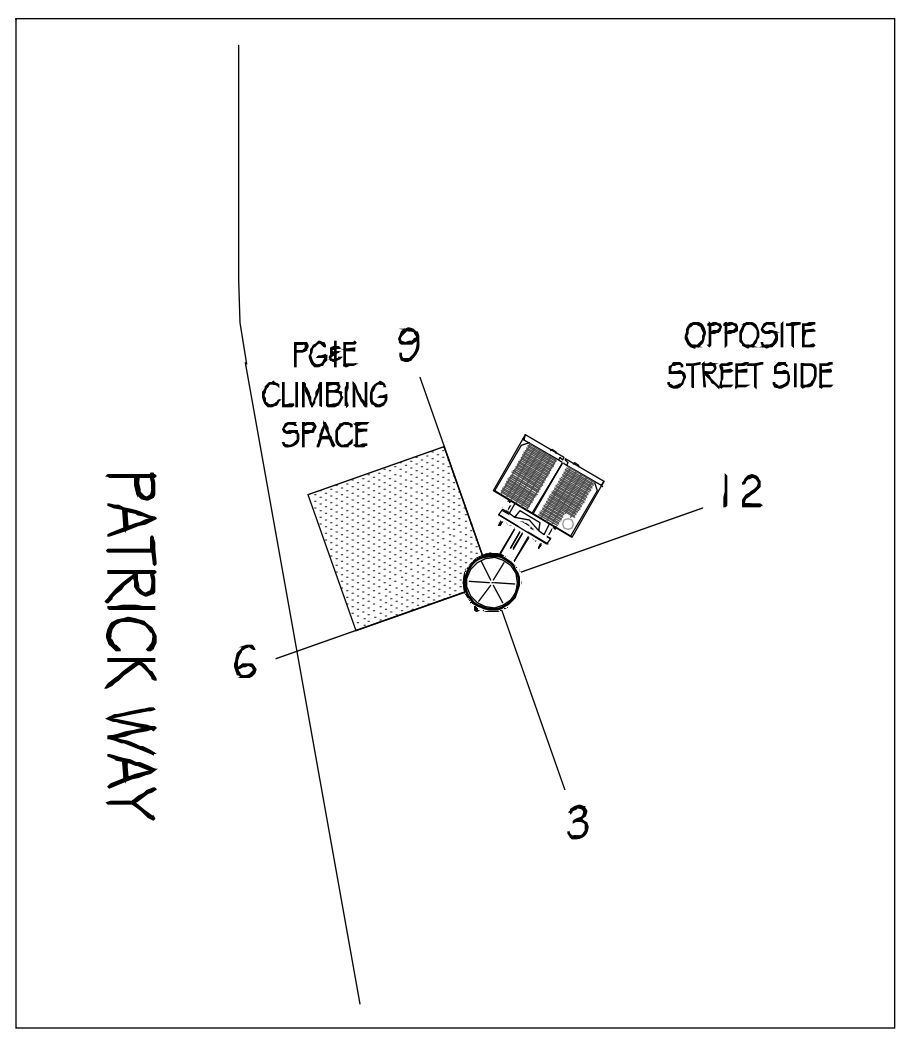
TN
1"=1'
ANTENNA PLAN



TN
1"=1'
RRU PLAN



TN
1"=1'
ELECTRICAL METER PLAN



PRECISION DESIGN & Drafting, INC.
Phone: (530) 822-6546 www.pdnd.com
11768 Alwood Rd, Suite 20 Auburn, CA 95603

THESE PLANS AND SPECIFICATIONS AS INSTRUMENTS OF SERVICE ARE AND SHALL REMAIN THE PROPERTY OF PRECISION DESIGN & DRAFTING, INC. THESE DRAWINGS AND SPECIFICATIONS SHALL NOT BE USED BY ANY PERSON OR ENTITY OTHER THAN THE CLIENT FOR ANY PROJECTS UNLESS SPECIFICALLY AUTHORIZED BY PRECISION DESIGN & DRAFTING, INC. ALL RIGHTS RESERVED.



CRAN_RSFR_LOS0A0_009

491 PATRICK WY
LOS ALTOS, CA 94022

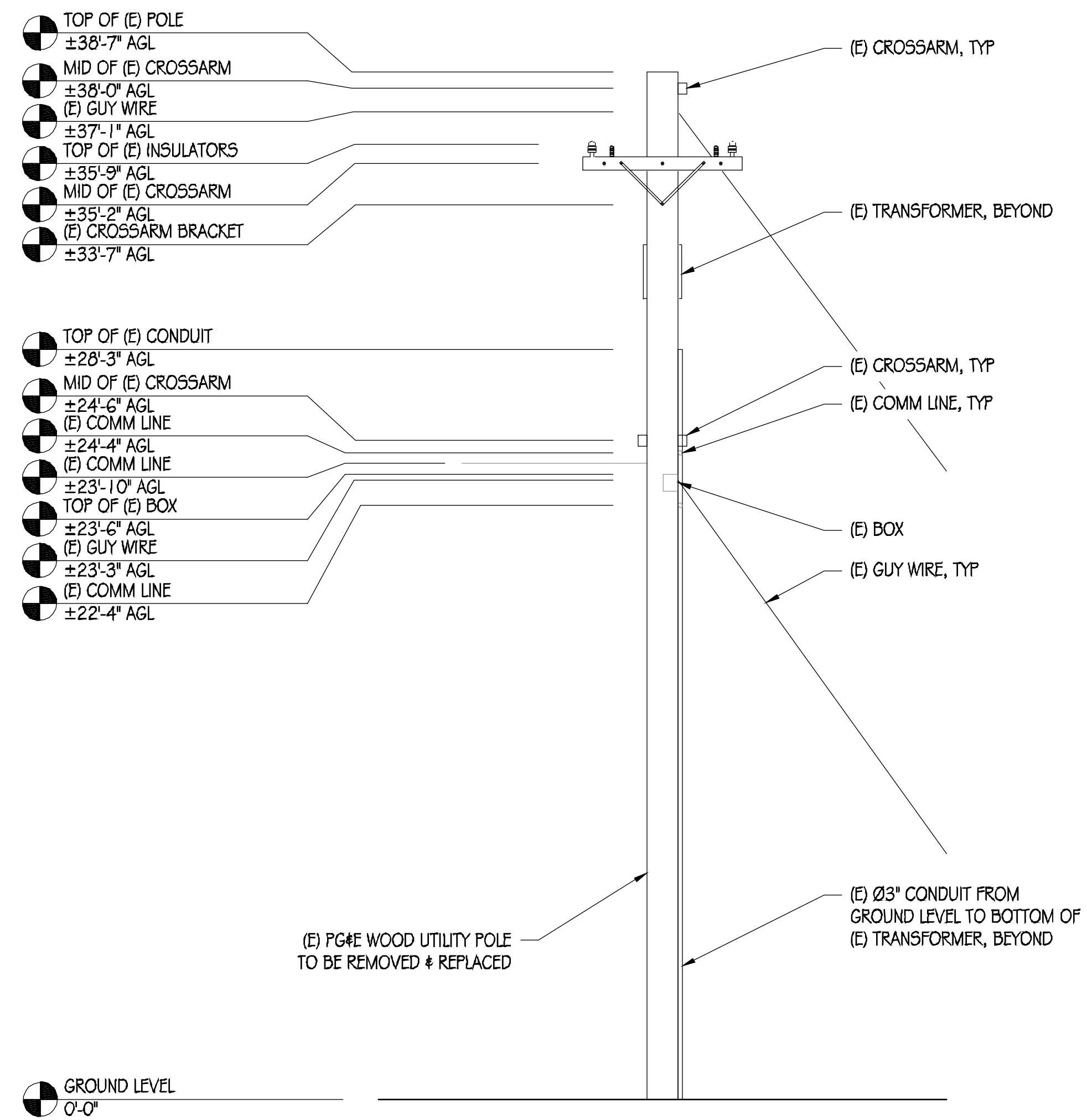
ISSUE STATUS

△	DATE	DESCRIPTION
	06/14/18	CD 90%
	07/25/19	CD 100%

DRAWN BY: T.J. / B.L.
CHECKED BY: T. DICARLO
APPROVED BY: B. McCOMB
DATE: 07/25/19
SHEET TITLE:

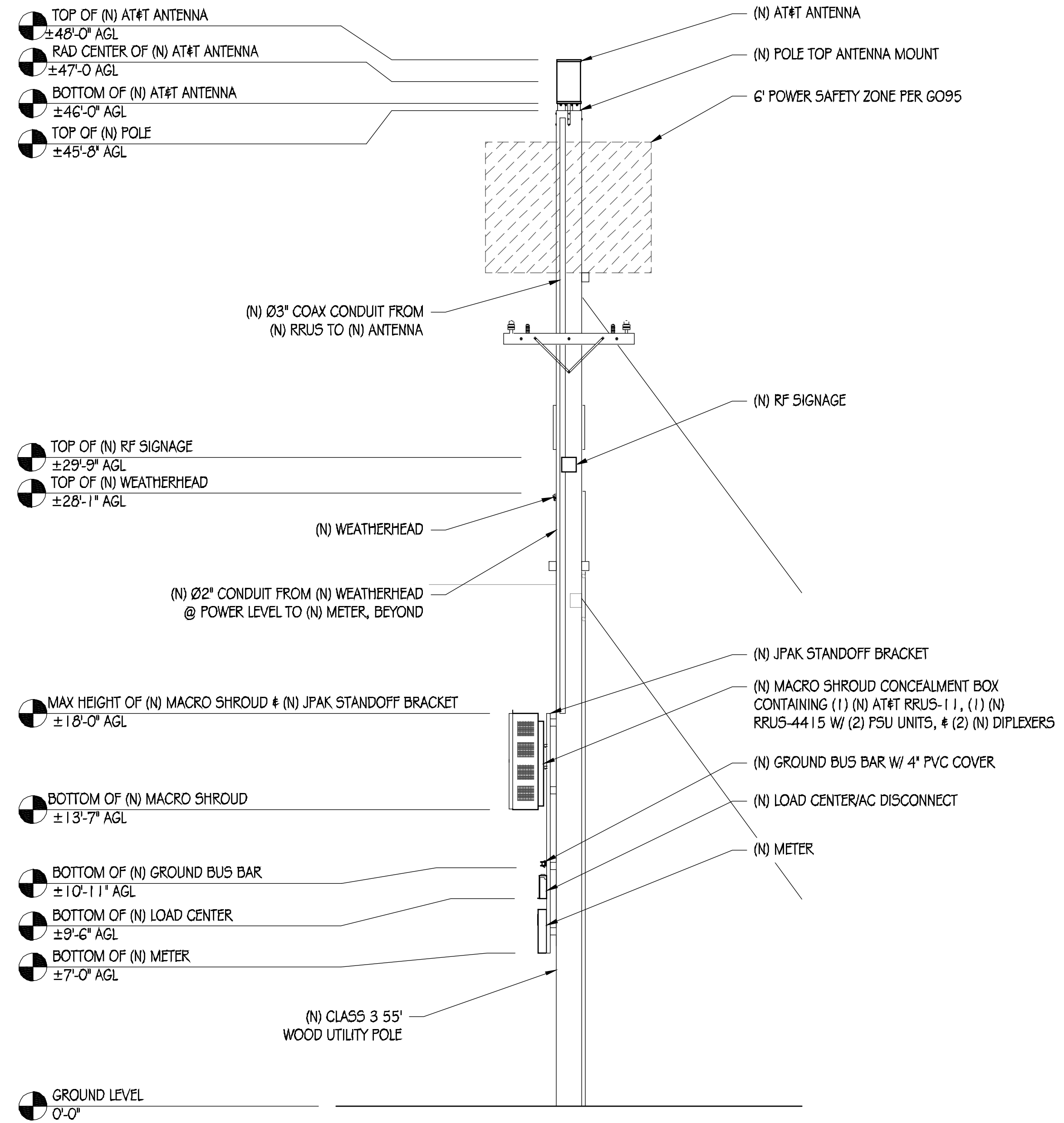
EQUIPMENT PLAN # ANTENNA PLANS
SHEET NUMBER
A-2

NOTE: FIBER CONNECTION TO BE INSTALLED UNDER SEPARATE PERMIT



EXISTING WEST ELEVATION

1/4" = 1'-0"



NEW WEST ELEVATION

1/4" = 1'-0"



AT&T MOBILITY
5001 EXECUTIVE PARKWAY
SAN RAMON, CA 94583



36 EXECUTIVE PARK, SUITE 210
IRVINE, CA 92614

PRECISION DESIGN
Drafting, INC.

Phone: (530) 823-6546 www.pdrnd.com
11768 Alwood Rd, Suite 20 Auburn, CA 95603

THESE PLANS AND SPECIFICATIONS ARE HEREBY OFFERED TO THE PUBLIC FOR REVIEW AND COMMENT. THE PUBLIC IS INVITED TO COMMENT ON THESE PLANS AND SPECIFICATIONS. COMMENTS SHOULD BE SUBMITTED TO THE PROJECT MANAGER AT THE ADDRESS LISTED ABOVE. COMMENTS SHOULD BE RECEIVED BY THE DATE LISTED ABOVE.



CRAN_RSFR_LO5AO_009

491 PATRICK WY
LOS ALTOS, CA 94022

ISSUE STATUS

△	DATE	DESCRIPTION
	06/14/18	CD 90%
	07/25/19	CD 100%

DRAWN BY: T.J. / B.L.

CHECKED BY: T. DICARLO

APPROVED BY: B. McCOMB

DATE: 07/25/19

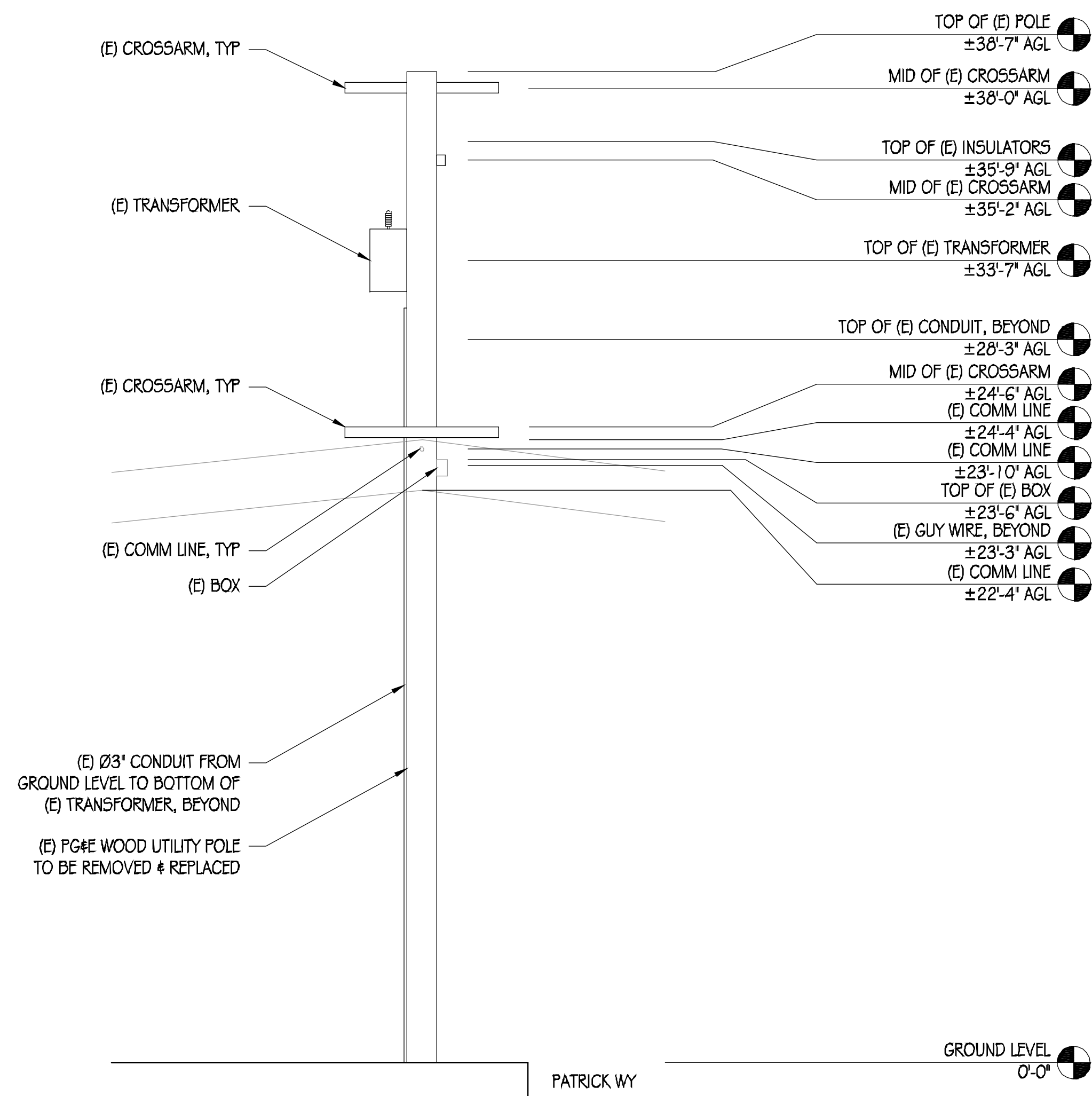
SHEET TITLE:

ELEVATIONS

SHEET NUMBER

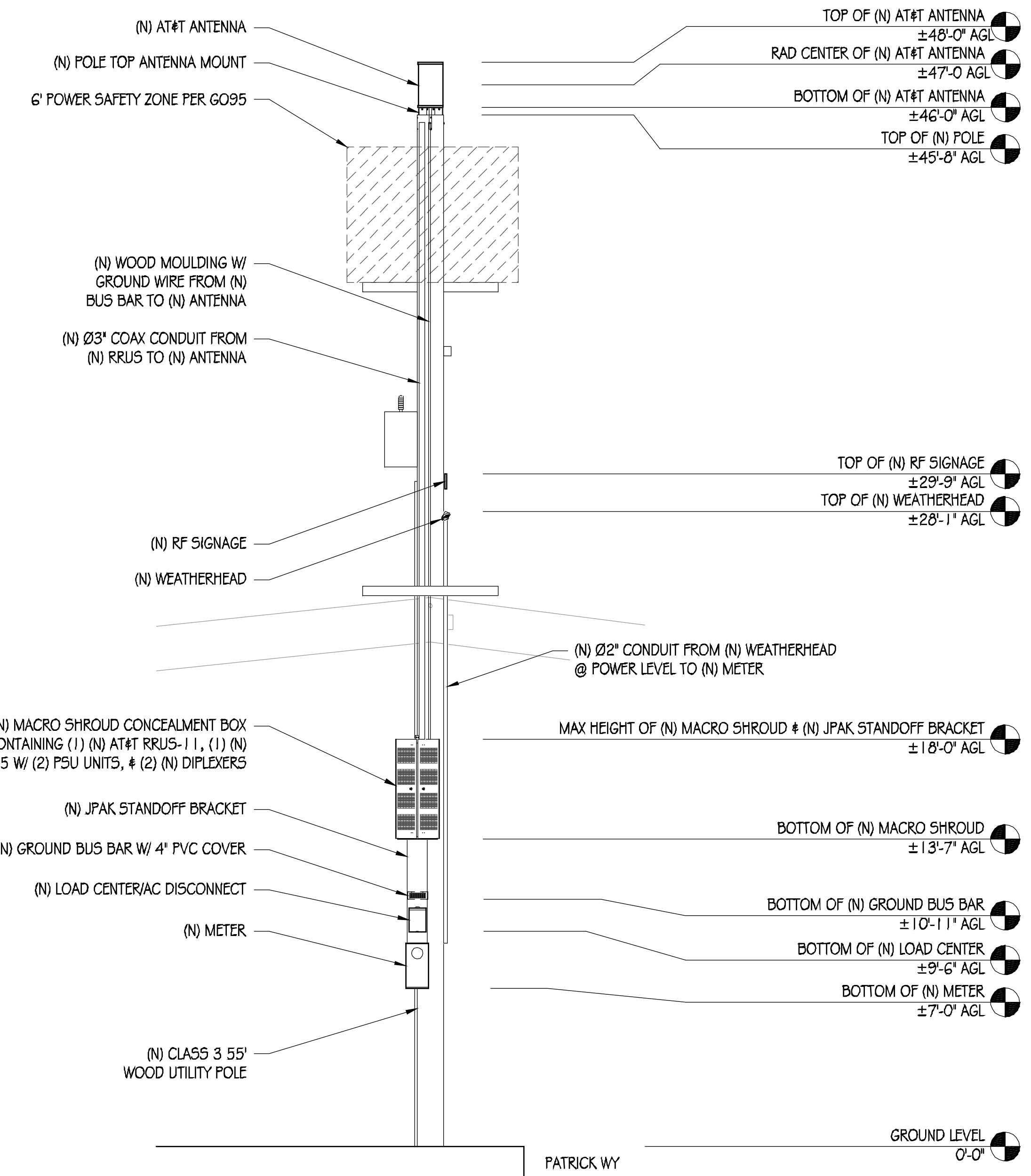
A-3

NOTE: FIBER CONNECTION TO BE INSTALLED UNDER SEPARATE PERMIT



EXISTING NORTH ELEVATION

1/4" = 1'-0"



NEW NORTH ELEVATION

1/4" = 1'-0"



AT&T MOBILITY
5001 EXECUTIVE PARKWAY
SAN RAMON, CA 94583



36 EXECUTIVE PARK, SUITE 210
IRVINE, CA 92614

PRECISION DESIGN
Drafting, INC.

Phone: (530) 823-6546 www.pdrnd.com
11768 Alwood Rd, Suite 20 Auburn, CA 95603

THESE PLANS AND SPECIFICATIONS AS INSTRUMENTS OF SERVICE ARE OUR SOLE PROPERTY AND SHALL REMAIN THE PROPERTY OF PRECISION DESIGN DRAFTING, INC. THESE DRAWINGS AND SPECIFICATIONS SHALL NOT BE USED BY ANY PERSON OR ENTITY OTHER THAN OUR CLIENTS WITHOUT OUR WRITTEN PERMISSION. COPYRIGHT © 2011 PRECISION DESIGN DRAFTING, INC. ALL RIGHTS RESERVED.



CRAN_RSFR_LOSAO_009

491 PATRICK WY
LOS ALTOS, CA 94022

ISSUE STATUS

△	DATE	DESCRIPTION
	06/14/18	CD 90%
	07/25/19	CD 100%

DRAWN BY: T.J. / B.L.

CHECKED BY: T. DICARLO

APPROVED BY: B. McCOMB

DATE: 07/25/19

SHEET TITLE:

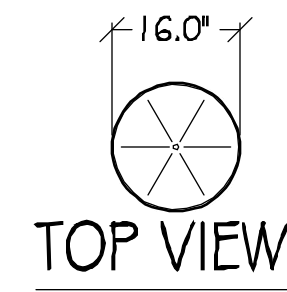
ELEVATIONS

SHEET NUMBER

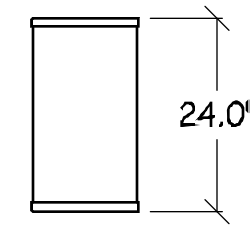
A-4

KMW FX-OM2L1OH2-06T

WIND AREA: 2.67 SQ FT
 WEIGHT: 34.2 LBS
 DIMENSIONS: Ø 16.0" X 24.0" TALL
 RF CONNECTORS: (12) 4.3-10 FEMALE



TOP VIEW

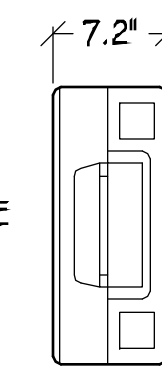


FRONT VIEW

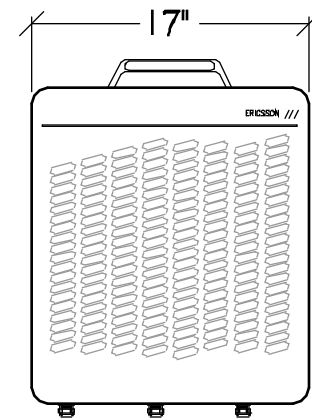
1 ANTENNA
 1/2"=1'

ERICSSON RRUS-11

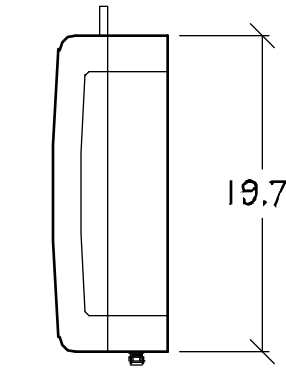
TOTAL WEIGHT: 55 LBS
 DIMENSIONS: 19.7" TALL X 17" WIDE X 7.2" DEEP



TOP VIEW



FRONT VIEW

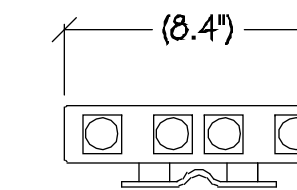


SIDE VIEW

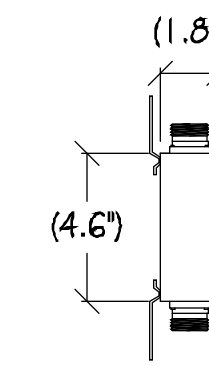
2 RRUS-11 DETAIL
 1"=1'

COMMSCOPE
 CBC1923T-4310/
 E11F13P06

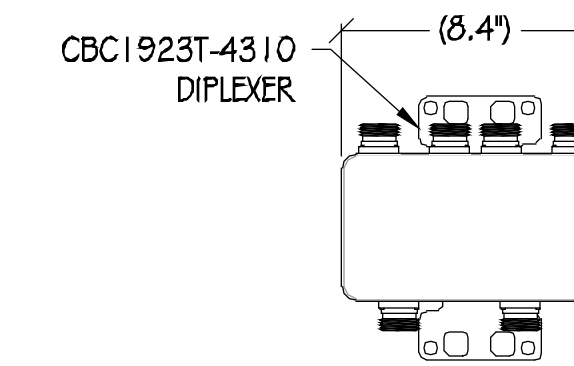
COLOR: GRAY
 TOTAL WEIGHT: +/- 4.4 LB
 DIMENSIONS: 8.3" TALL X 4.6" WIDE X 1.8" DEEP



TOP VIEW

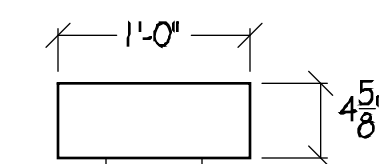


SIDE VIEW



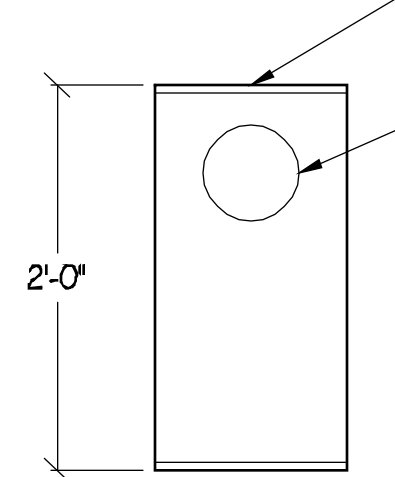
FRONT VIEW

3 DIPLEXER DETAIL
 1"=6"

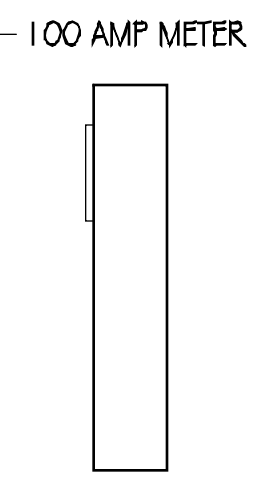


TOP VIEW

COOPER B-LINE 114TB ELECTRICAL PANEL TO MEET COMMERCIAL PG&E REQUIREMENTS WITH TEST BYPASS



FRONT VIEW

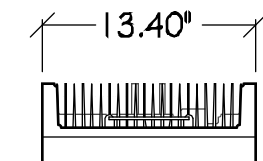


SIDE VIEW

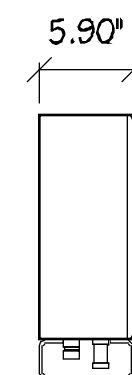
4 METER DETAIL
 1"=1'

ERICSSON RRUS-4415

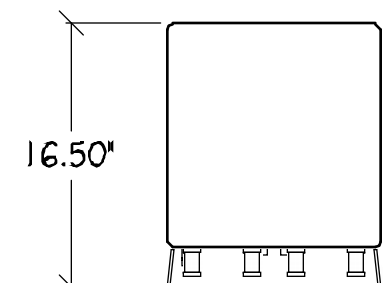
TOTAL WEIGHT: UNDER 46 LBS
 DIMENSIONS: 16.5" X 13.4" X 5.9"



TOP VIEW



SIDE VIEW

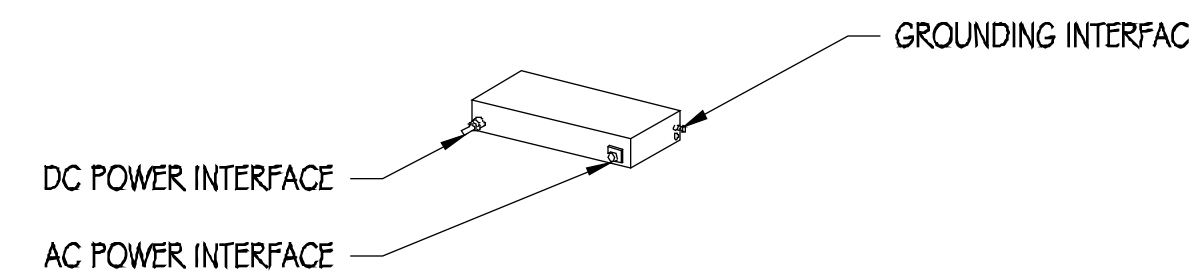


FRONT VIEW

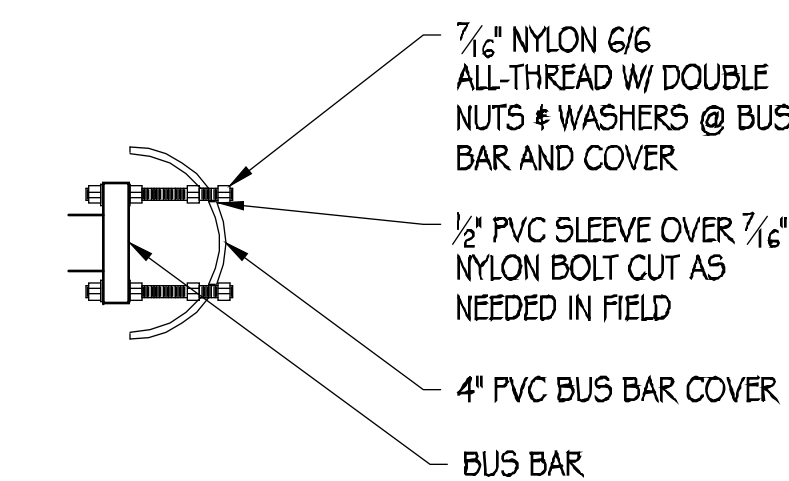
5 RRUS-4415 DETAIL
 1"=1'

ERICSSON PSU AC 08

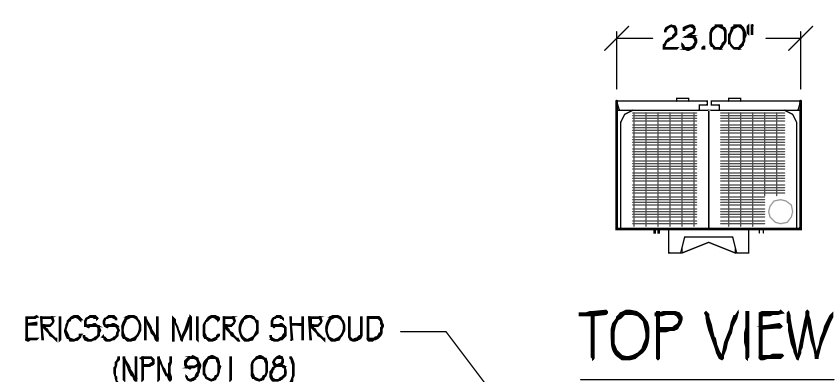
DIMENSIONS: 2.72" X 10.79" X 7.09"
 WEIGHT: 11.46 LBS



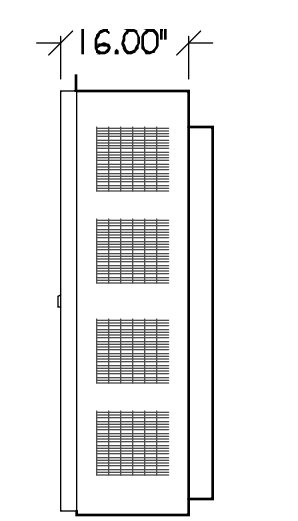
6 AC POWER MODULE
 NTS



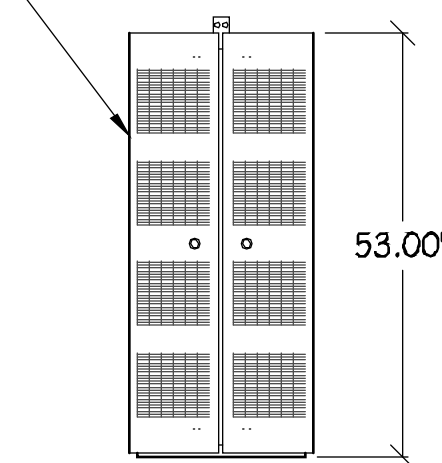
7 BUS BAR COVER
 6"=1'



TOP VIEW

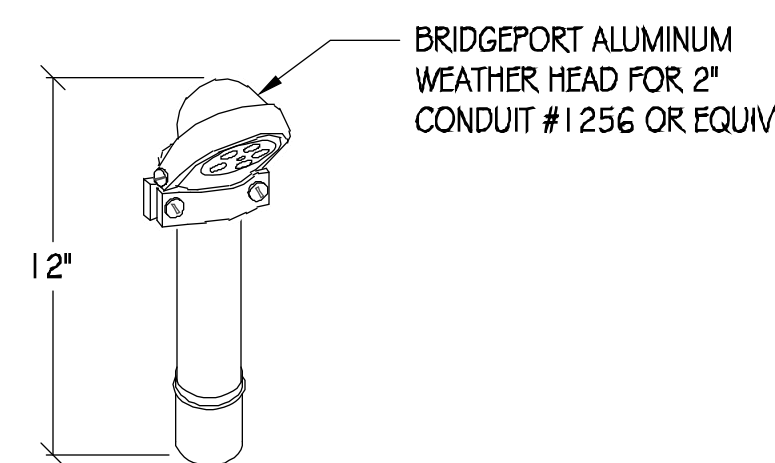


SIDE VIEW



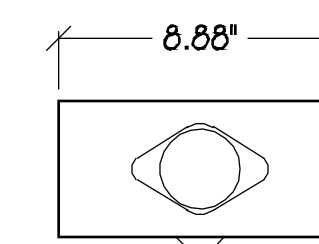
FRONT VIEW

8 MICRO SHROUD CONCEALMENT
 1/2"=1'

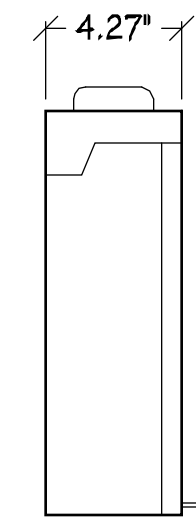


9 WEATHER HEAD
 NTS

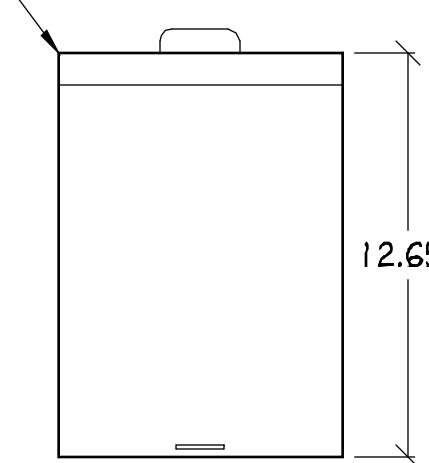
SCHNEIDER ELECTRIC
 QO612L100RB



TOP VIEW

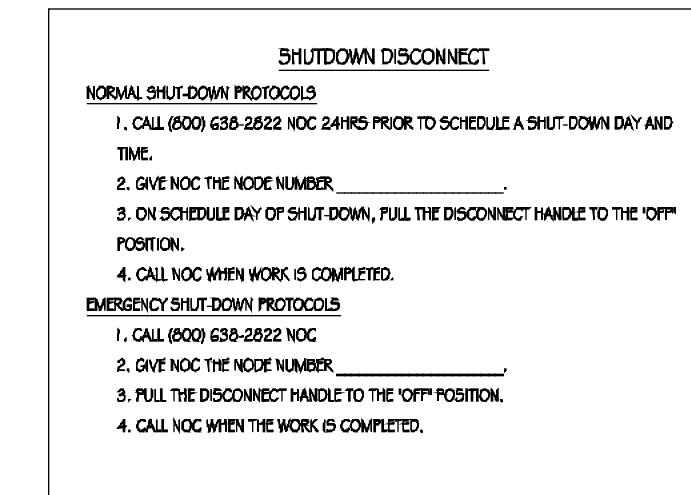
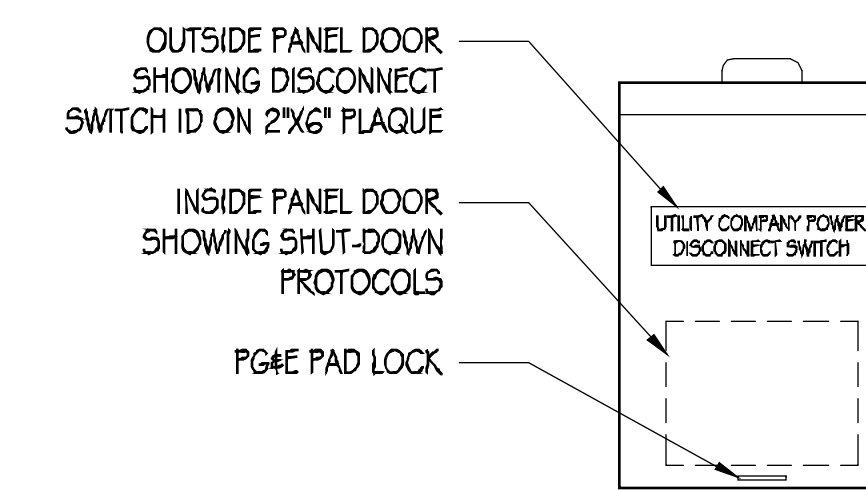


SIDE VIEW



FRONT VIEW

10 LOAD CENTER/AC DISCONNECT
 1"=6"



11 DISCONNECT SIGNAGE
 3"=1'

NOTES:
 1. SITE ID WILL BE SWITCH #, SITE # & SITE NAME
 2. SIGN PROVIDED BY GC MOUNTED TO OUTSIDE OF SERVICE DISCONNECT



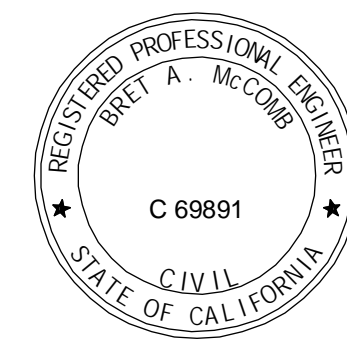
AT&T MOBILITY
 5001 EXECUTIVE PARKWAY
 SAN RAMON, CA 94583



36 EXECUTIVE PARK, SUITE 210
 IRVINE, CA 92614



Phone: (530) 823-6546 www.pdnd.com
 11768 Alwood Rd, Suite 20 Auburn, CA 95603



CRAN_RSFR_LOSAO_009

491 PATRICK WY
 LOS ALTOS, CA 94022

ISSUE STATUS

△	DATE	DESCRIPTION
	06/14/18	CD 90%
	07/25/19	CD 100%

DRAWN BY: T.J. / B.L.
 CHECKED BY: T. DICARLO
 APPROVED BY: B. McCOMB
 DATE: 07/25/19

SHEET TITLE:

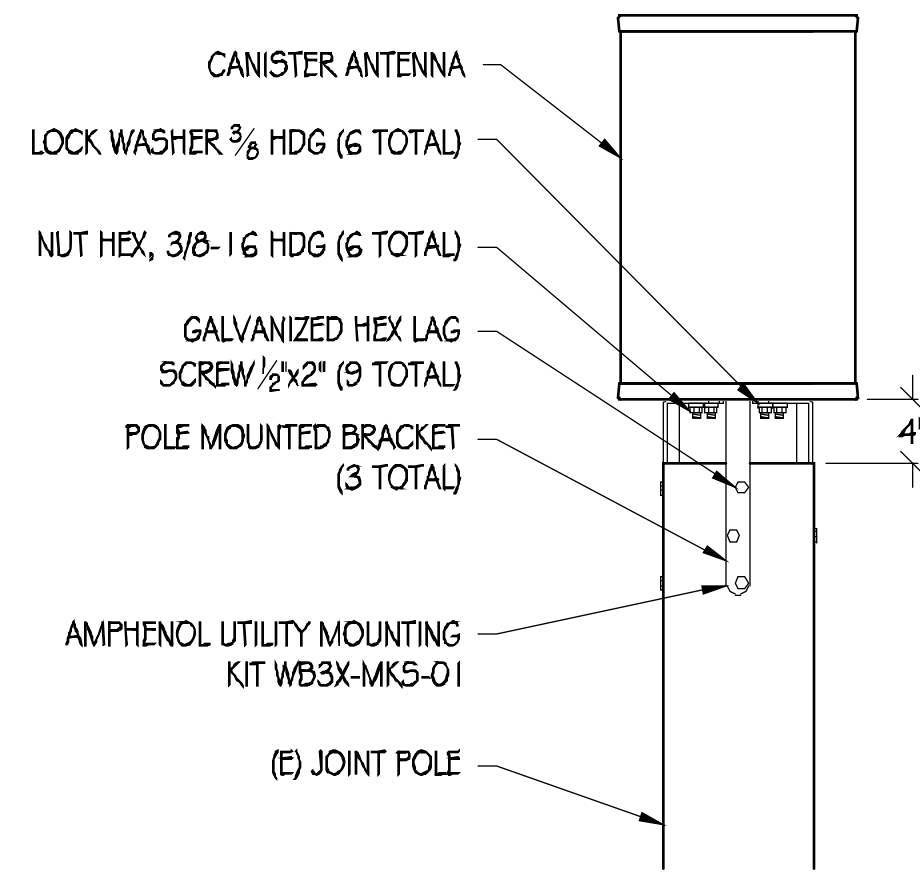
DETAILS

SHEET NUMBER

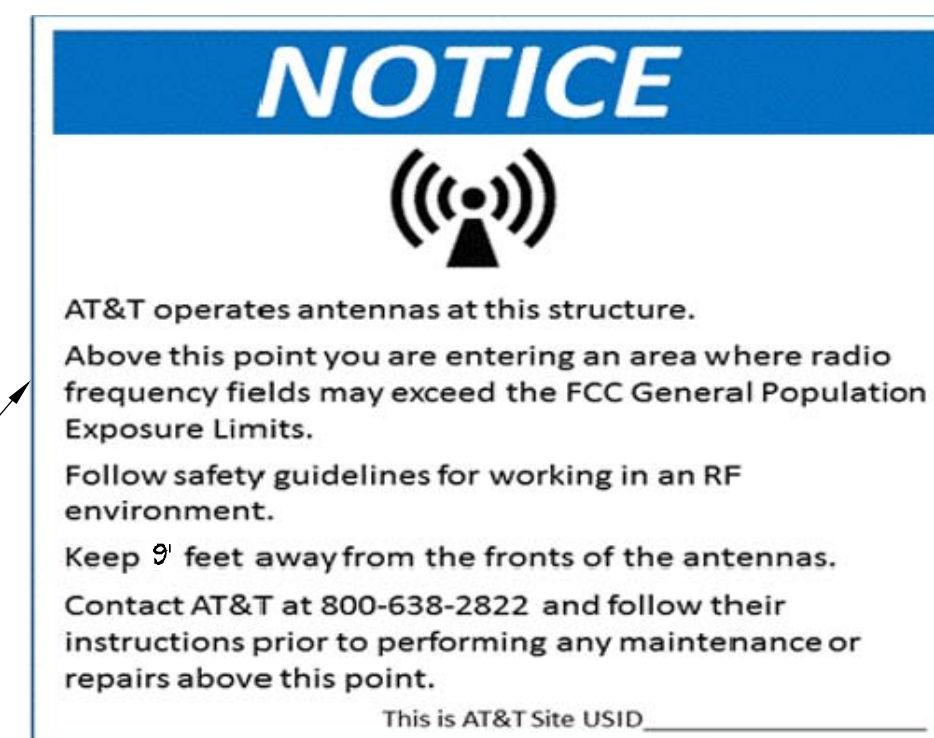
A-5

STRUCTURAL STEEL NOTES:

- ALL STEEL CONSTRUCTION INCLUDING FABRICATION, ERECTION AND MATERIALS SHALL COMPLY WITH ALL REQUIREMENTS OF THE AISC SPECIFICATION FOR THE DESIGN, FABRICATION, AND ERECTION OF STRUCTURAL STEEL FOR BUILDINGS AND THE 2016 CBC.
- ALL STRUCTURAL STEEL SHALL BE ASTM A36 UNLESS OTHERWISE NOTED. ALL WF (WIDE FLANGE) # WT (TEE) SHAPES TO BE ASTM A992 (F_y=50,000 PSI) UNLESS NOTED OTHERWISE. ALL STRUCTURAL TUBING (TS OR HS5) SHALL BE ASTM A500 GRADE B (F_y=46,000 PSI). ALL STEEL PIPE SHALL BE ASTM A53 (TYPE E OR S, GRADE B (F_y=35,000 PSI)) SCHEDULE 40 WITH OUTSIDE DIAMETERS GIVEN UNLESS OTHERWISE NOTED.
- ALL WELDING SHALL BE PERFORMED USING E70XX ELECTRODES AND SHALL CONFORM TO AISC # AWS D1.1. WHERE FILLET WELD SIZES ARE NOT SHOWN PROVIDE THE MINIMUM SIZE PER TABLE J2.4 IN THE AISC SPECIFICATION. PAINTED SURFACES SHALL BE TOUCHED UP.
- ALL WELDING SHALL BE PERFORMED BY QUALIFIED, CERTIFIED WELDERS.
- BOLTS SHALL BE GALVANIZED ASTM A325 MINIMUM. BOLTED CONNECTIONS SHALL BE BEARING TYPE. SEE PLANS FOR LOCATION, NUMBER, # SIZE OF BOLTS. SPECIAL INSPECTION NOT REQUIRED U.O.N.
- THREADED RODS SHALL BE ASTM F593 CW 304/316 STAINLESS STEEL. BOLTED CONNECTIONS SHALL BE BEARING TYPE. SEE PLANS FOR LOCATION, NUMBER, # SIZE OF BOLTS.
- ALL HOLES FOR BOLTED CONNECTIONS SHALL BE 1/16" LARGER THAN THE NOMINAL BOLT DIAMETER. USE STANDARD AISC GAGE AND PITCH FOR BOLTS EXCEPT AS NOTED OTHERWISE. HOLES FOR ANCHOR BOLTS IN BASE PLATES MAY BE AISC "OVERSIZE" HOLES WHERE ACCOMPANIED BY OVERSIZED HARDENED HDG WASHERS.
- ALL SHOP FABRICATED STEEL STRUCTURAL MEMBERS FOR EXTERIOR USE SHALL BE HDG PER ASTM A123 AFTER FABRICATION # PAINTED PER CUSTOMER SPECIFICATIONS AS REQUIRED. STEEL FOR INTERIOR USE SHALL BE SHOP COAT OR GALVANIZED # PAINTED PER PLAN.
- ALL FIELD FABRICATED GALVANIZED STEEL THAT IS CUT, GROUND, DRILLED, WELDED OR DAMAGED SHALL BE TREATED WITH "ZINC RICH" COLD GALVANIZING SPRAY OR COATING. NO RAW STEEL SHALL BE EXPOSED.
- AT ALL WEB STIFFENER PLATES LEAVE 3/4" (OR K, WHICHEVER IS LARGER) HOLE @ WEB/FLANGE INTERSECTION UNLESS NOTED OTHERWISE.



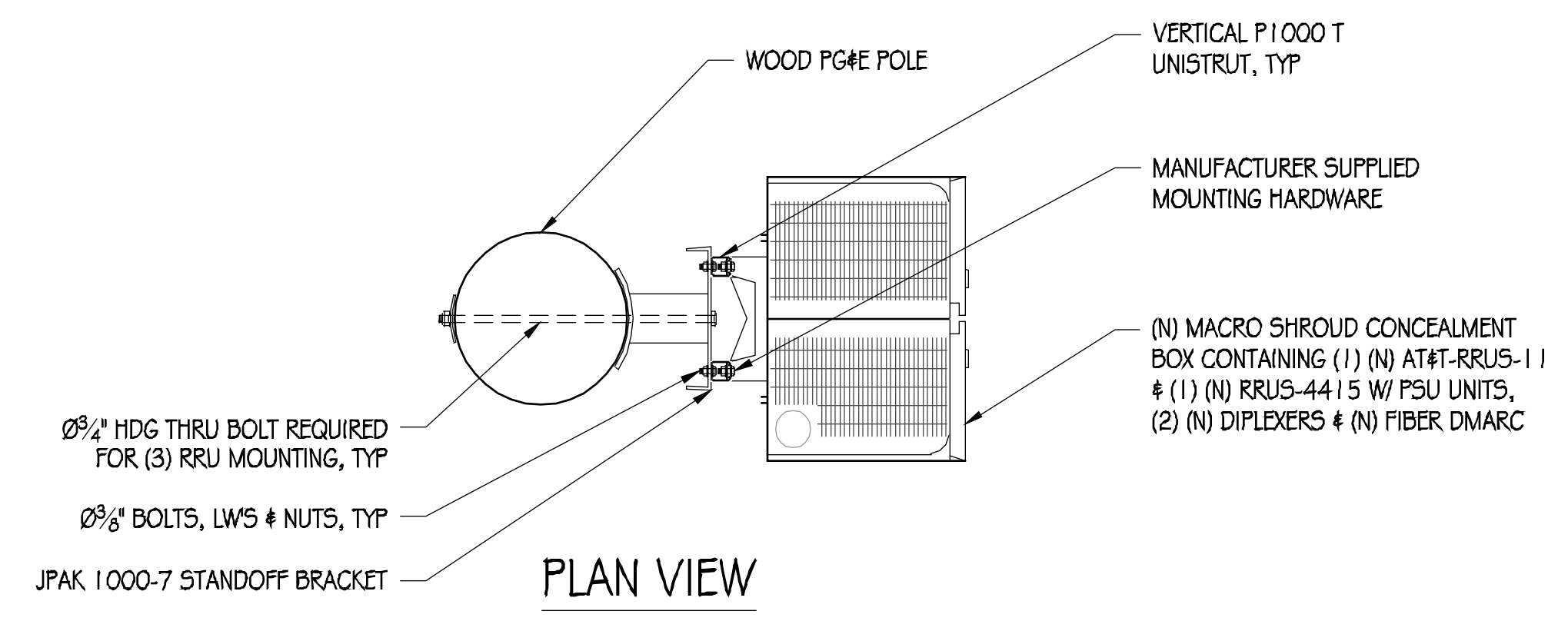
1 POLE-TOP ANTENNA MOUNT DETAIL
1" = 1'



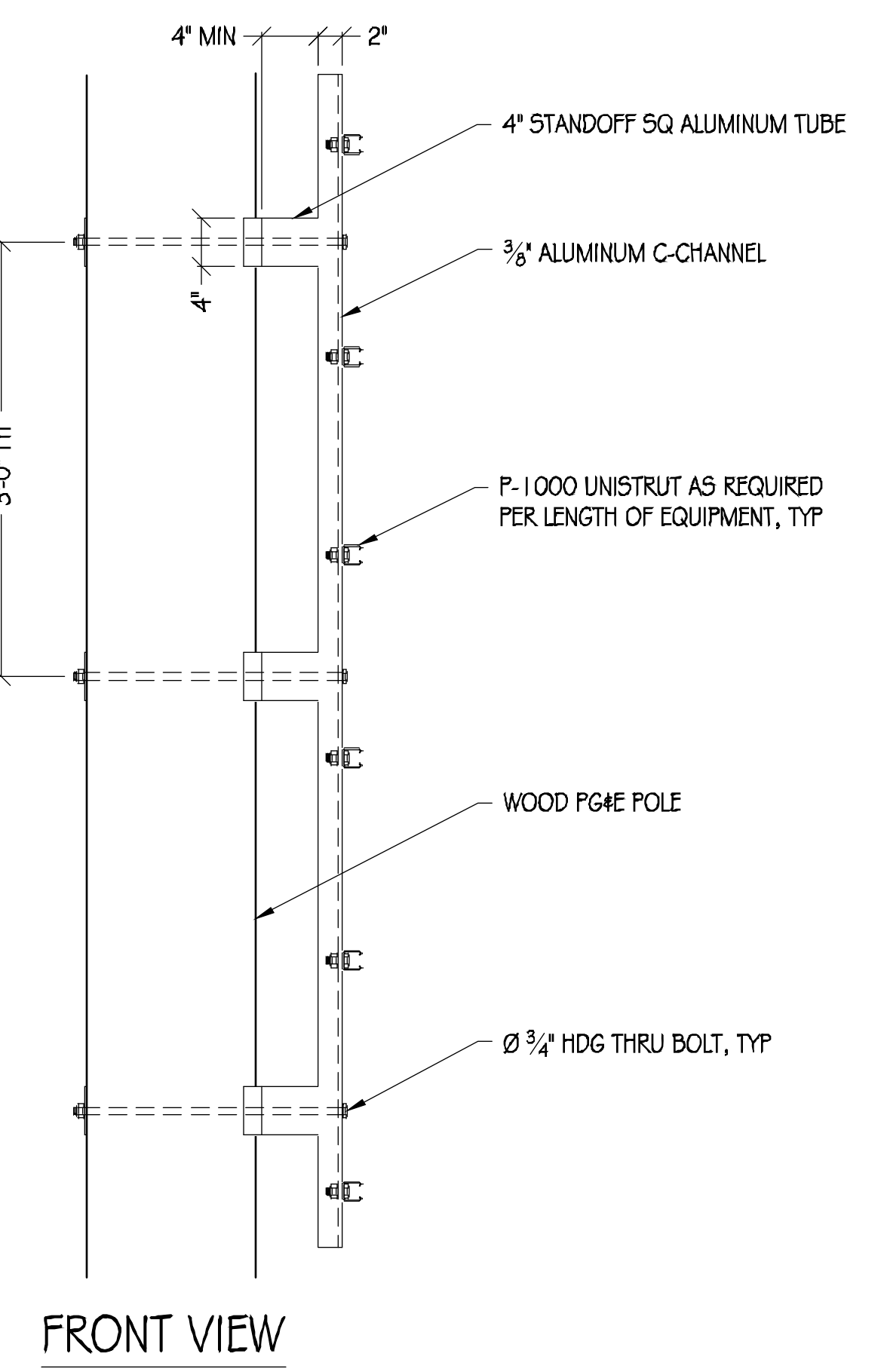
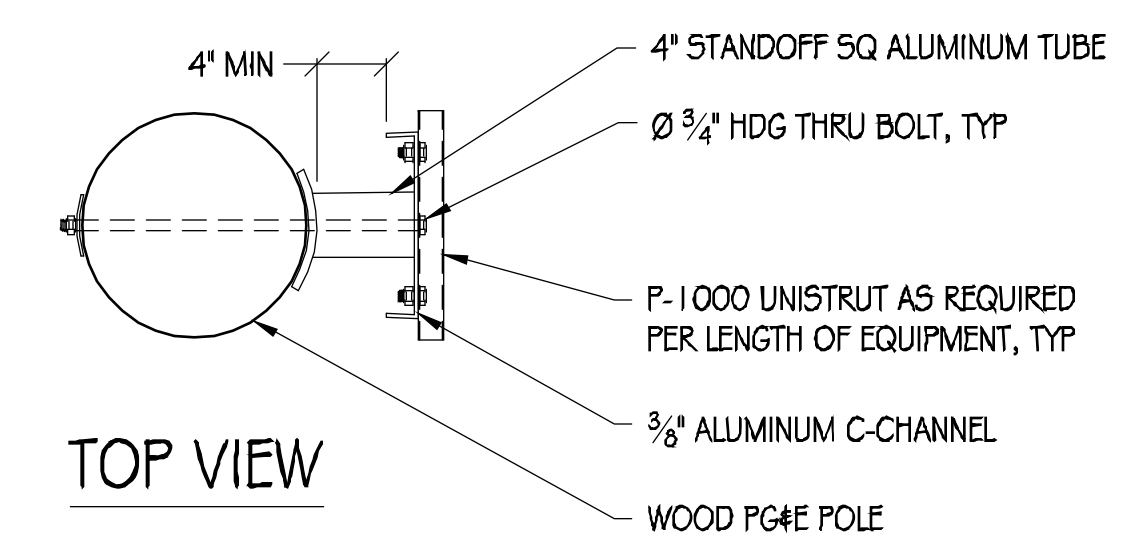
12.25" X 12.25" NOTICE DECAL BLUE DECAL

2 NOTICE SIGNAGE
NTS

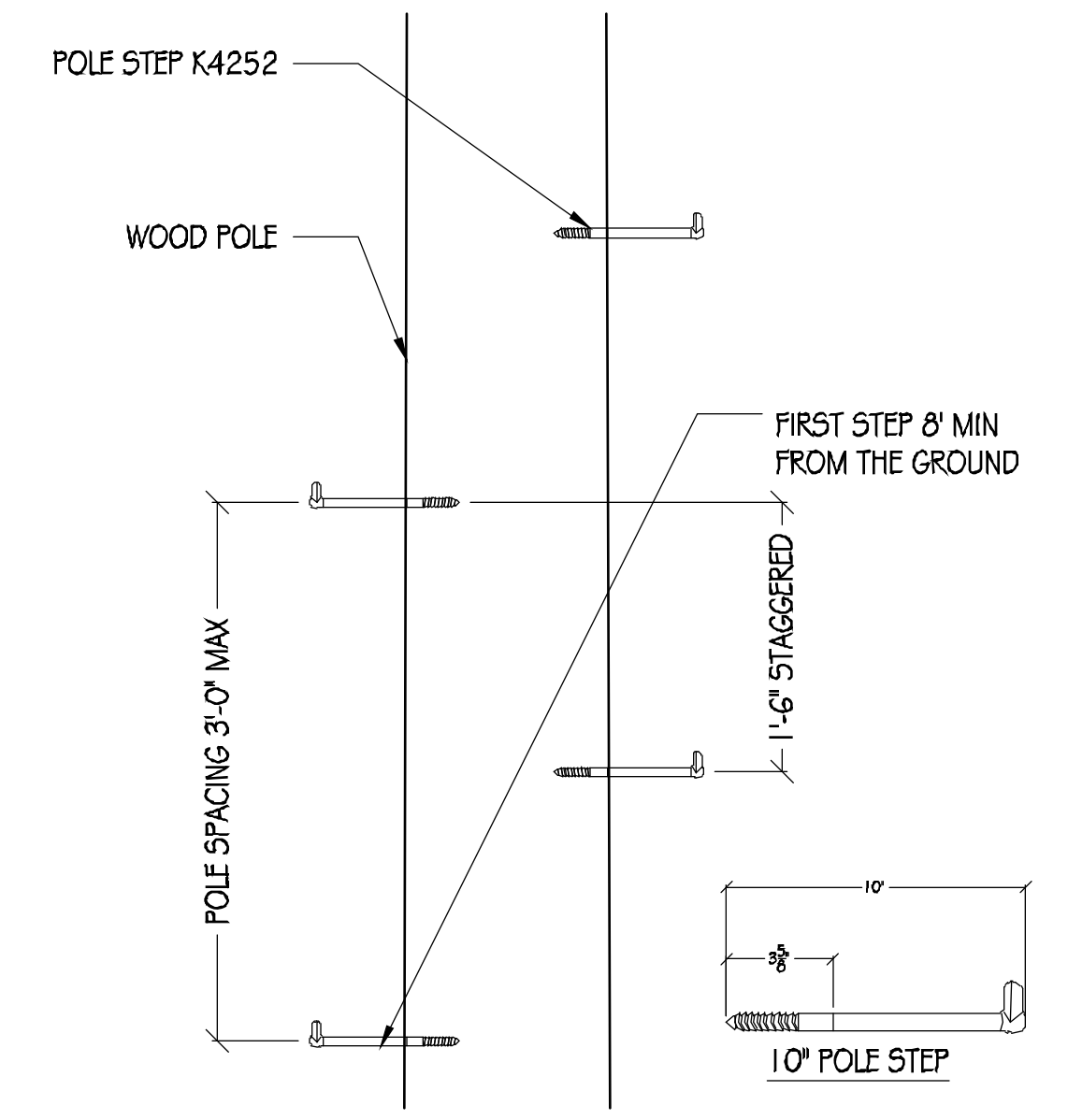
- NOTES:
- SIGNAGE TO BE SCREWED DIRECTLY TO POLE AT ALL FOUR CORNERS.
 - SIGNAGE TO BE PLACED A MINIMUM OF 2'-0" BELOW (N) ANTENNA.



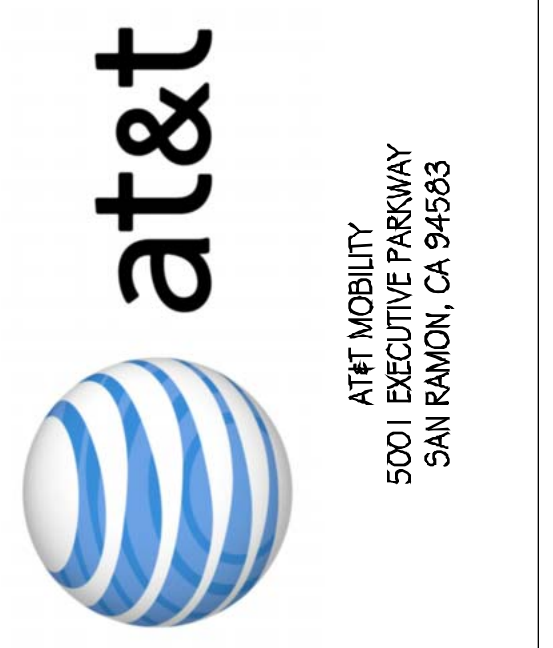
3 RRU MOUNTING DETAIL
1" = 1'



4 JPAK STANDOFF DETAIL
1" = 1'



5 POLE STEP
1" = 1'
NOTE: POLE STEP TO BE INSTALLED PER MANUFACTURER'S RECOMMENDATIONS



PRECISION DESIGN & Drafting, INC.
Phone: (530) 823-6546 www.pdnd.com
11768 Alwood Rd, Suite 20 Auburn, CA 95603

THESE PLANS AND SPECIFICATIONS OR INSTRUMENTS OF SERVICE ARE AND SHALL REMAIN THE PROPERTY OF PRECISION DESIGN & DRAFTING, INC. THESE DRAWINGS AND SPECIFICATIONS SHALL NOT BE USED BY ANY PERSON OR ENTITY OTHER THAN THE CLIENT FOR ANY PROJECT OR PURPOSE WITHOUT THE WRITTEN PERMISSION OF PRECISION DESIGN & DRAFTING, INC. ALL RIGHTS RESERVED.



CRAN_RSFR_LOSAO_009

491 PATRICK WY
LOS ALTOS, CA 94022

ISSUE STATUS

△	DATE	DESCRIPTION
	06/14/18	CD 90%
	07/25/19	CD 100%

DRAWN BY: T.J. / B.L.
CHECKED BY: T. DICARLO
APPROVED BY: B. McCOMB
DATE: 07/25/19

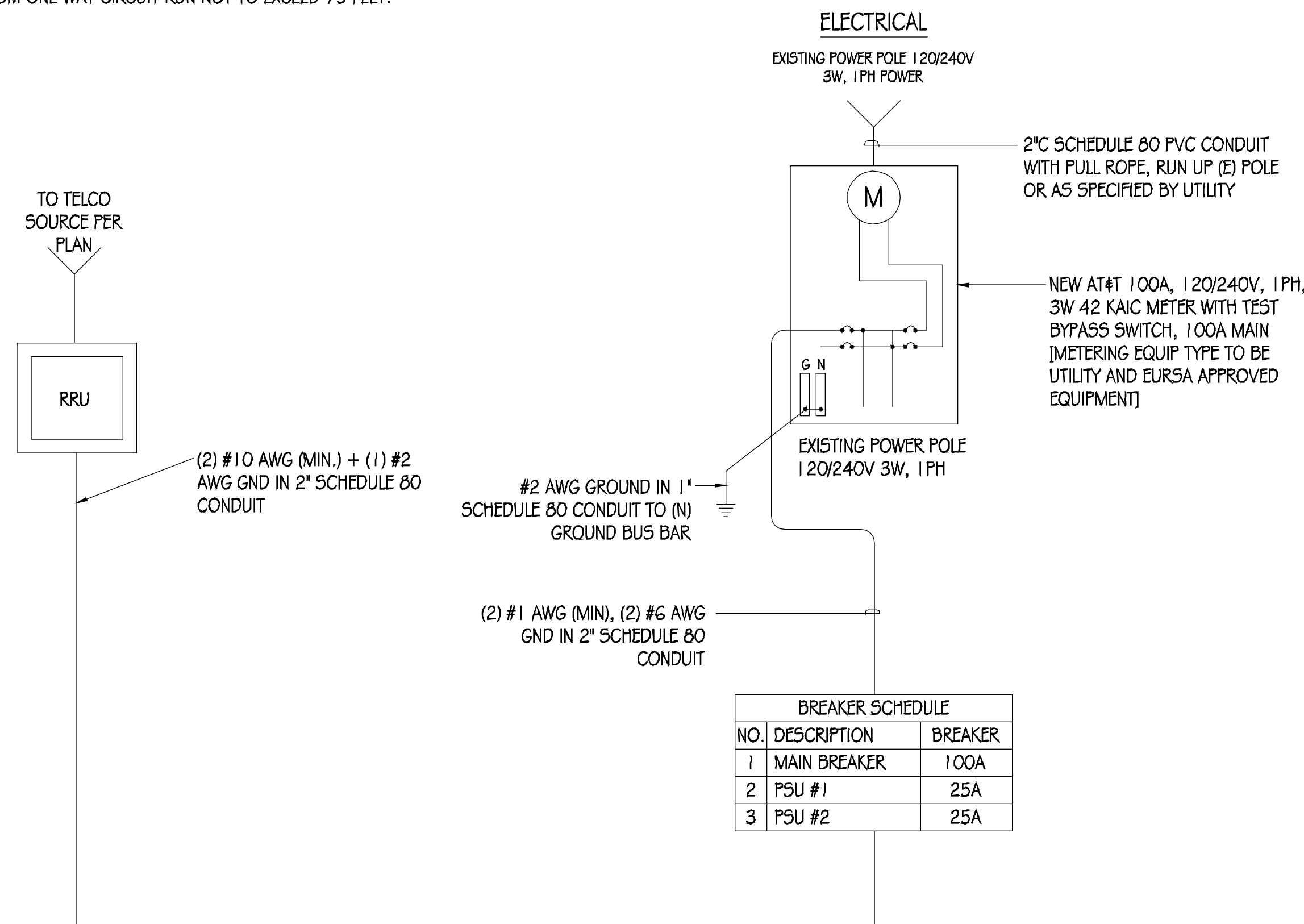
SHEET TITLE:
DETAILS
SHEET NUMBER:
A-6

GENERAL ELECTRICAL NOTES:

1. PROVIDE ALL ELECTRICAL WORK & MATERIALS AS SHOWN ON THE DWGS, AS CALLED FOR HEREIN, & AS IS NECESSARY TO FURNISH A COMPLETE INSTALLATION.
2. THE INSTALLATION SHALL CONFORM TO THE REQUIREMENTS OF THE CURRENT ADOPTED CALIFORNIA ELECTRICAL CODE, STATE OF CALIFORNIA TITLE 24, ALL OTHER APPLICABLE CODES AND ORDINANCES & THE REQUIREMENTS OF THE FIRE MARSHALL. ALL EQUIPMENT & WIRING SHALL BEAR THE APPROVAL STAMP OF UNDERWRITERS LABORATORY (UL) OR AN APPROVED TESTING LABORATORY, PAYMENT FOR ALL INSPECTION FEES AND PERMITS ARE PART OF THIS CONTRACT.
3. THE CONTRACTOR SHALL BE RESPONSIBLE FOR THE SAFETY AND GOOD CONDITION OF ALL MATERIALS & EQUIPMENT FOR THE ENTIRE INSTALLATION & UNIT COMPLETION OF WORK. ERECT & MAINTAIN APPROVED & SUITABLE BARRIERS, PROTECTIVE DEVICES & WARNING SIGNS, BE FULLY RESPONSIBLE FOR ANY LOSS OR INJURY TO PERSONS OR PROPERTY RESULTING FROM NEGLIGENCE AND/OR ENFORCEMENT OF ALL SAFETY PRECAUTIONS & WARNINGS.
4. COORDINATE THE ELECTRICAL INSTALLATION WITH ALL OTHER TRADES.
5. ALL SAW CUTTING, TRENCHING, BACK FILLING & PATCHING SHALL BE RESTORED PER CITY STANDARD DETAILS.
6. FINALIZE ALL ELECTRICAL SERVICE ARRANGEMENTS, INCLUDING VERIFICATION OF LOCATIONS, DETAILS, COORDINATION OF THE INSTALLATION & PAYMENT OF ACCRUED CHARGES WITH LOCAL POWER COMPANY, VERIFY LOCATION FOR FACILITIES & DETAILS WITH POWER UTILITY, IN ADDITION TO THE REQUIREMENTS SHOWN IN THE CONTRACT DOCUMENTS, WORK SHALL COMPLY WITH CONSTRUCTION STANDARDS & SERVICE REQUIREMENTS OF THE RESPECTIVE UTILITIES, INCLUDING ANY SUPPLEMENTAL DWGS ISSUED & SHALL BE SUBJECT TO APPROVAL OF THESE UTILITIES.
7. ALL WIRING SHALL BE COPPER. INSULATION FOR BRANCH CIRCUIT CONDUCTORS SHALL BE TYPE "THWN" CONDUCTORS LARGER AND #6 AWG MAY BE TYPE "THWN" OR "TWN".
8. PROVIDE CONDUIT SEALS FOR ALL CONDUITS PENETRATING WEATHERPROOFING OR WEATHERPROOF ENCLOSURE ENVELOPE. MASTIC SEAL ALL CONDUIT OPENING PENETRATIONS COMPLETELY WATERTIGHT.
9. UNLESS SHOWN OTHERWISE, FUSED DISCONNECT SWITCHES SHALL BE PROVIDED WITH LOW-PEAK, SIDAUL ELEMENT FUSES SIZED TO EQUIPMENT NAMEPLATE FUSE CURRENT RATING. MOTOR STARTERS SHALL BE PROVIDED WITH SIMILARLY SIZED FUSIBLE ELEMENTS, SWITCHES AND OTHER OUTDOOR EQUIPMENT SHALL BE RATED NEMA 3R AND/OR UL LISTED FOR WET ENVIRONMENT.
10. THE CONTRACTOR SHALL BE RESPONSIBLE FOR TESTING THE GROUNDING SYSTEM AND ENSURING A 5 OHM OR LESS GROUNDING PATH, ADDITIONAL GROUND RODS AND/OR CHEMICAL ROD SYSTEM SHALL BE USED TO ACHIEVE THIS REQUIREMENT IF THE GIVEN DESIGN CANNOT BE MADE TO ACHIEVE THIS REQUIREMENT.

POWER AND TELCO NOTES:

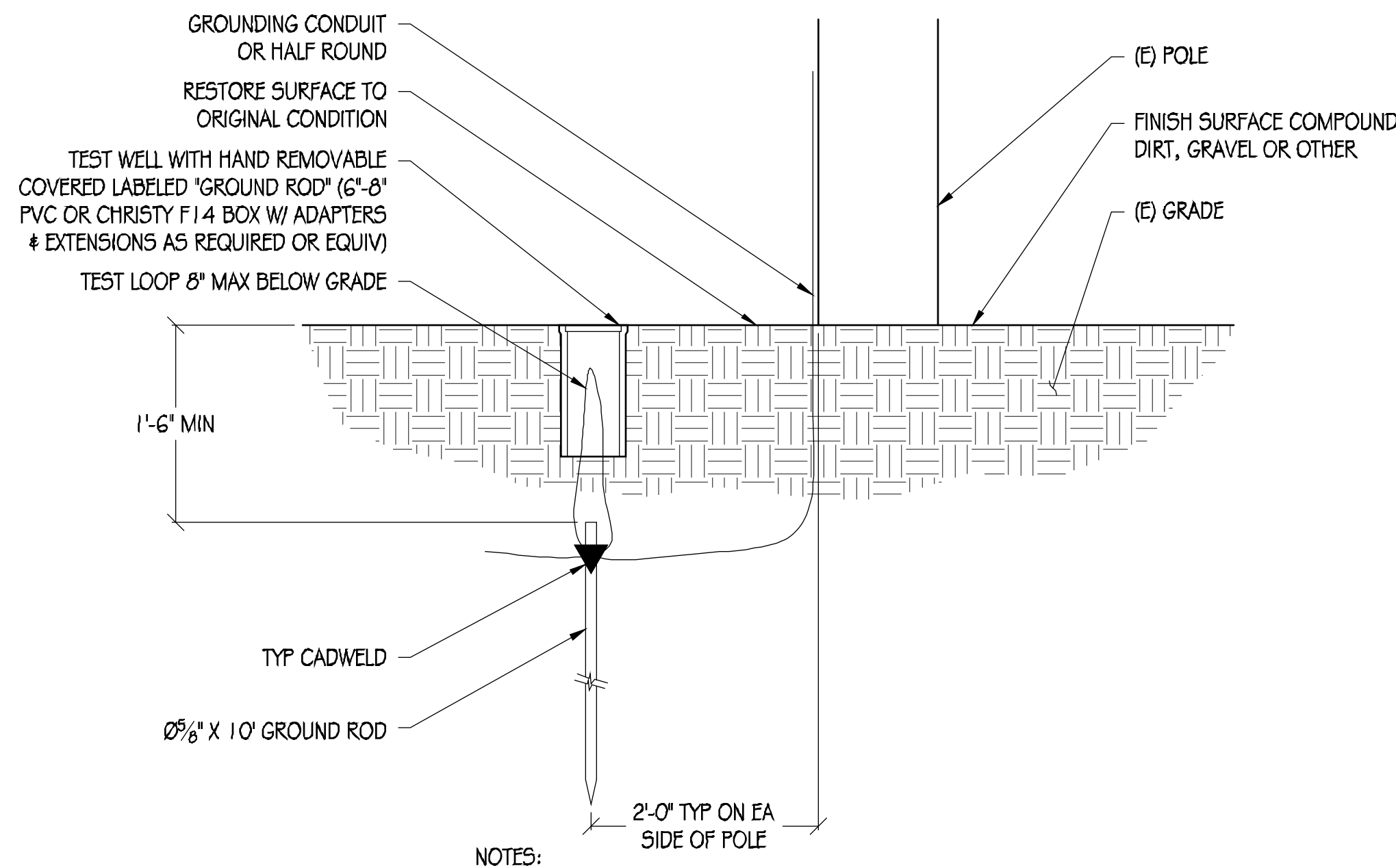
1. POWER AND TELCO POINTS OF CONNECTION AND ANY EASEMENTS ARE PRELIMINARY AND SUBJECT TO CHANGE BY THE UTILITY COMPANIES.
2. CONTRACTOR SHALL COORDINATE WITH UTILITY COMPANY FOR FINAL AND EXACT WORK/MATERIALS REQUIREMENTS AND CONSTRUCT TO UTILITY ENGINEERING PLANS AND SPECIFICATIONS ONLY WHERE APPLICABLE PER PROJECT SCOPE OF WORK.
3. CONTRACTOR SHALL FURNISH AND INSTALL CONDUIT, PULL WIRES, CABLE PULL BOXES, CONCRETE ENCASEMENT OF CONDUIT, TRANSFORMER PAD, BARRIERS, POLE RISER TRENCHING, BACK FILL, AND UTILITY FEES, AND INCLUDE REQUIREMENTS IN SCOPE.
4. CONTRACTOR SHALL LABEL ALL MAIN DISCONNECT SWITCHES AS REQUIRED BY CODE.
5. CONTRACTOR SHALL PROVIDE METER WITH DIST. PANEL AND BREAKERS FOR POWER TO THE BTS UNITS AND THE BTS/ UTILITY CABINET.
6. ALL SERVICE EQUIPMENT AND INSTALLATIONS SHALL COMPLY WITH THE N.E.C. AND UTILITY COMPANY AND LOCAL CODE REQUIREMENTS.
7. CONTRACTOR SHALL PROVIDE ELECTRICAL SERVICE ENTRANCE EQUIPMENT WITH FAULT CURRENT RATINGS GREATER THAN THE AVAILABLE FAULT CURRENT FROM THE POWER UTILITY.
8. FIELD ROUTE CONDUIT TO CABINETS AS REQUIRED.
9. MAXIMUM ONE WAY CIRCUIT RUN NOT TO EXCEED 75 FEET.



SINGLE-LINE DIAGRAM

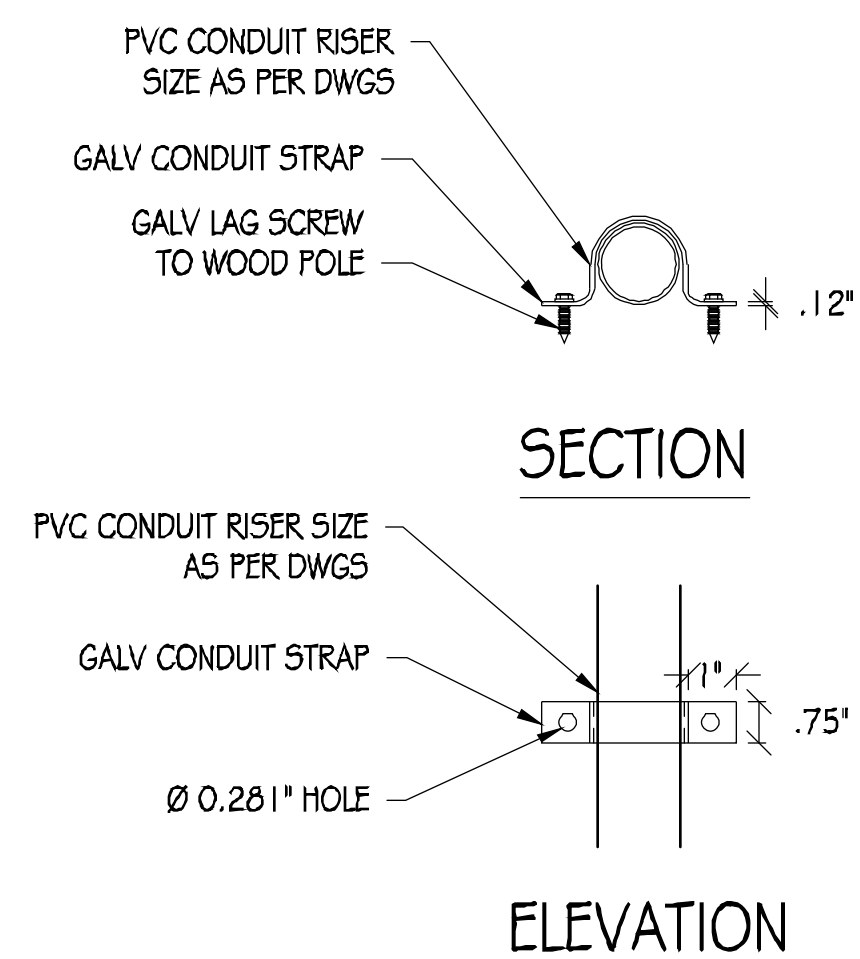
LOAD SCHEDULE

MAKE/MODEL	QUANTITY	DESCRIPTION	DIMENSIONS	WEIGHT	TX/RX	MAX TRANSMIT POWER	W	HW
ERICSSON RRU5-4415	1	RRU5	16.5" X 13.4" X 5.9"	46 LBS	2T/2R	4 X 40W	670	0.67
ERICSSON RRU5-11	1	RRU5	19.7" X 17.0" X 7.2"	55 LBS	2T/2R	2 X 40W	520	0.52
NEMA 3R ENCLOSURE	1	DISCONNECT	12.7" X 8.9" X 4.3"	40 LBS (MAX)	N/A	N/A	N/A	N/A

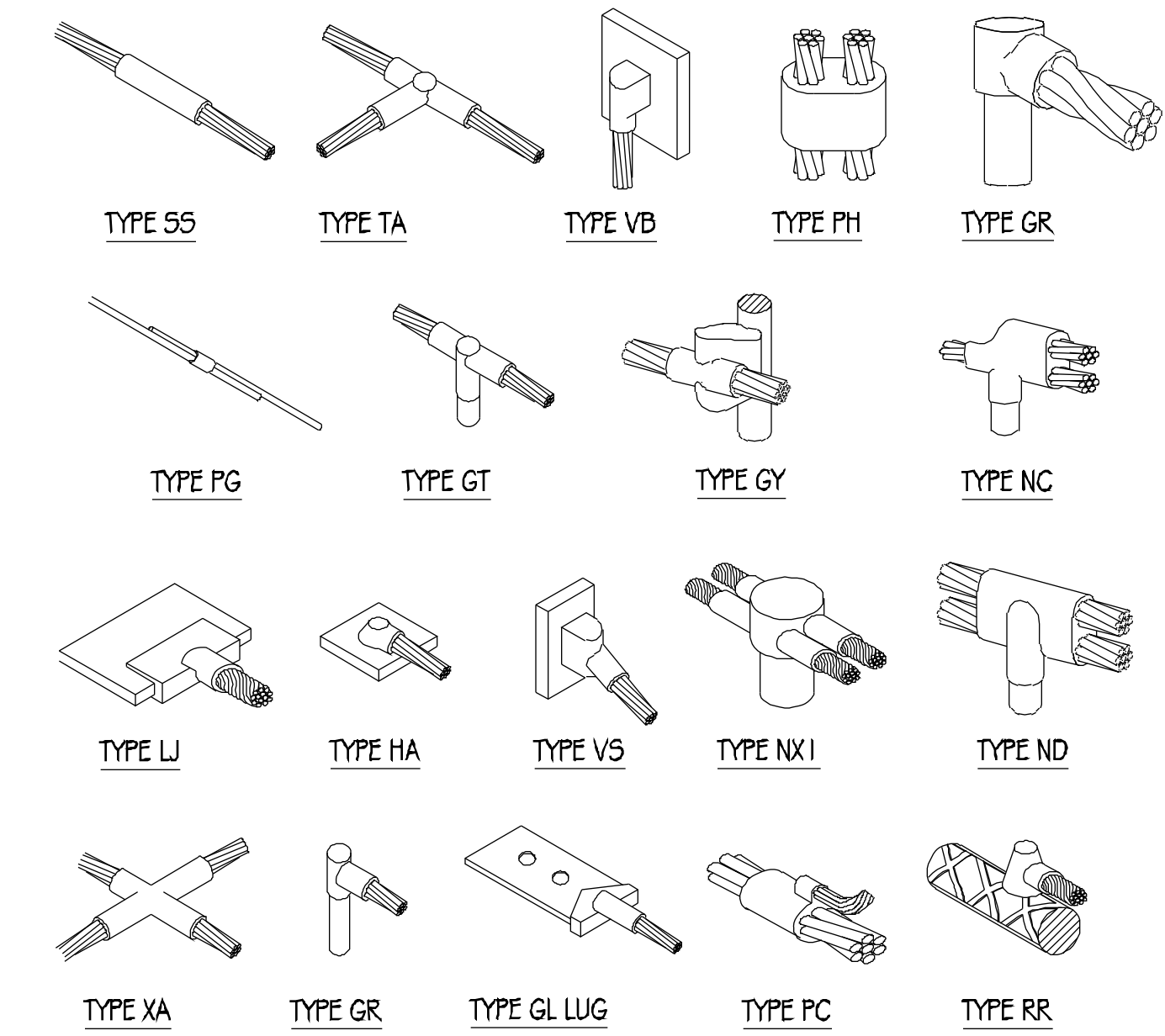


- NOTES:**
1. REMOVE & REPLACE SIDEWALK SECTION, RESTORATION TO MEET CITY STANDARD DETAILS
 2. EXPOSED CONCRETE TO HAVE BROOM FINISH

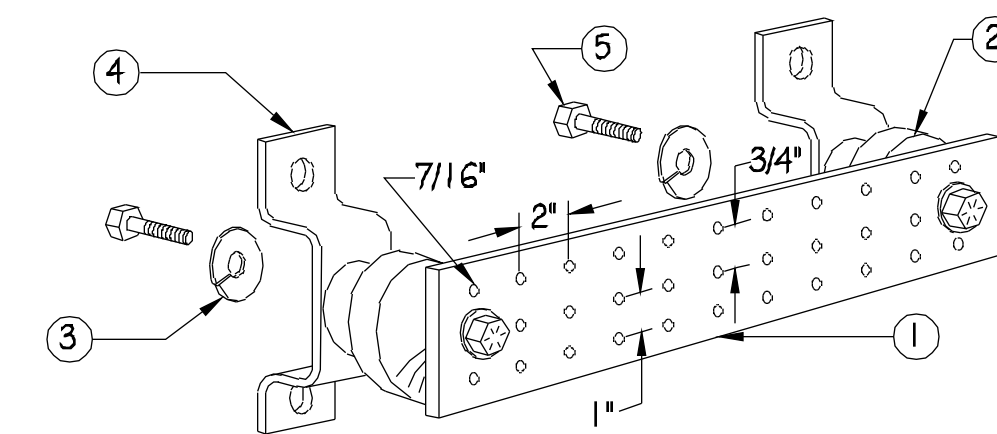
1 POLE GROUNDING DETAIL
NTS



2 CONDUIT RISER DETAIL
NTS

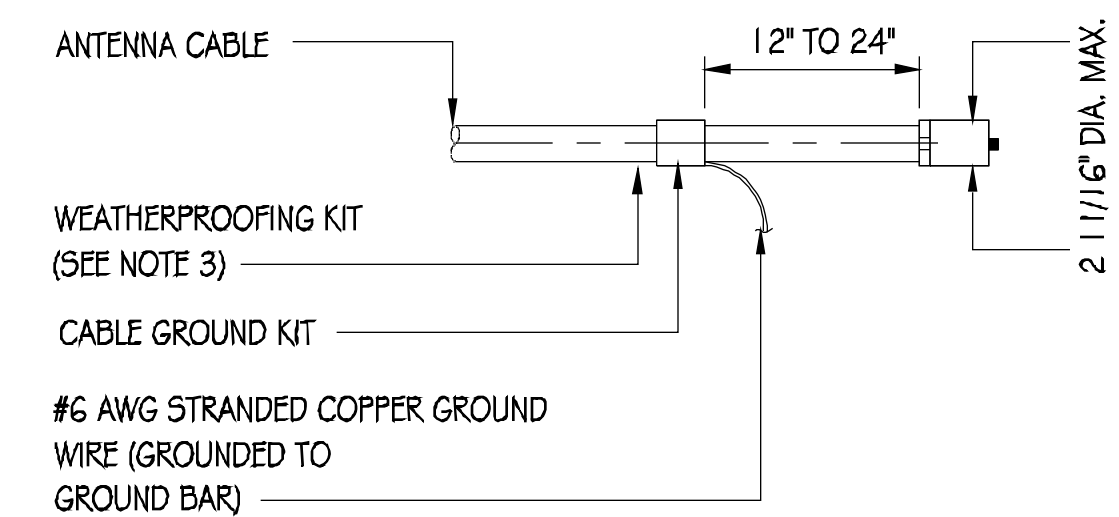


3 EXOTHERMIC WELD DETAILS
NTS



- NOTES:**
1. GALVANIZED STEEL GROUND BAR, HOLE CENTERS TO MATCH NEMA DOUBLE LUG CONFIGURATION. (ACTUAL GROUND BAR SIZE WILL VARY BASED ON NUMBER OF GROUND CONNECTIONS)
 2. INSULATORS, NEWTON INSTRUMENT CAT. NO. 3061-4 OR APPROVED EQUAL
 3. 5/8" LOCK WASHERS, NEWTON INSTRUMENT CO., CAT. NO. 3015-8 OR APPROVED EQUAL
 4. WALL MOUNTING BRACKET, NEWTON INSTRUMENT CO., CAT NO. A-6056 OR APPROVED EQUAL
 5. 5/8-11 X 1" HHCS BOLTS, NEWTON INSTRUMENT CO., CAT NO. 3012-1 OR APPROVED EQUAL
 6. INSULATORS SHALL BE ELIMINATED WHEN BONDING DIRECTLY TO TOWER/MONOPINE STRUCTURE. CONNECTION TO TOWER/MONOPINE STRUCTURE SHALL BE PER MANUFACTURERS RECOMMENDATIONS.

4 GROUND BAR DETAIL
NTS



- NOTES:**
1. DO NOT INSTALL CABLE GROUND KIT AT A BEND AND ALWAYS DIRECT GROUND WIRE DOWN TO GROUND BAR.
 2. GROUNDING KIT SHALL BE TYPE AND PART NUMBER AS SUPPLIED OR RECOMMENDED BY CABLE MANUFACTURER.
 3. WEATHER PROOFING SHALL BE (TYPE AND PART NUMBER AS SUPPLIED OR RECOMMENDED BY CABLE MANUFACTURER.)

5 GND KIT DETAIL
NTS



AT&T MOBILITY
5001 EXECUTIVE PARKWAY
SAN RAMON, CA 94583



36 EXECUTIVE PARK, SUITE 210
IRVINE, CA 92614

PRECISION DESIGN
Drafting, INC.
Phone: (530) 823-6546 www.pdrnd.com
11788 Alwood Rd, Suite 20 Auburn, CA 95603

THIS PLAN AND SPECIFICATIONS AS INSTRUMENTS OF SERVICE ARE OURS AND SHALL REMAIN THE PROPERTY OF PRECISION DESIGN DRAFTING, INC. THESE DRAWINGS AND SPECIFICATIONS SHALL NOT BE USED BY ANY PERSON OR ENTITY OTHER THAN OUR CLIENTS WITHOUT OUR WRITTEN PERMISSION. COPYRIGHT © 2011 PRECISION DESIGN DRAFTING, INC. ALL RIGHTS RESERVED.



CRAN_RSFR_LO5A0_009

491 PATRICK WY
LOS ALTOS, CA 94022

ISSUE STATUS

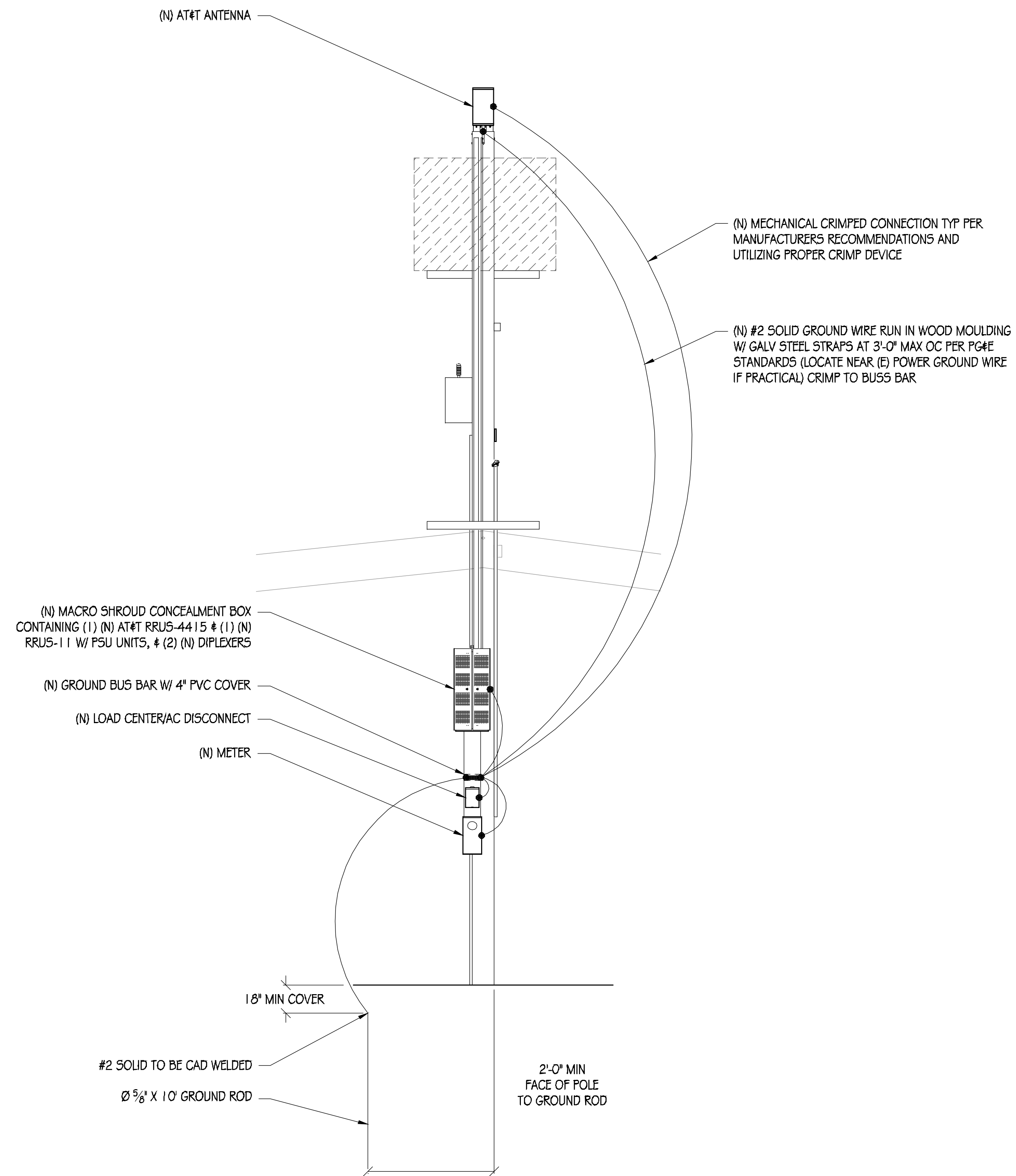
△	DATE	DESCRIPTION
	06/14/18	CD 90%
	07/25/19	CD 100%

DRAWN BY: T.J. / B.L.
CHECKED BY: T. DICARLO
APPROVED BY: B. McCOMB
DATE: 07/25/19
SHEET TITLE:

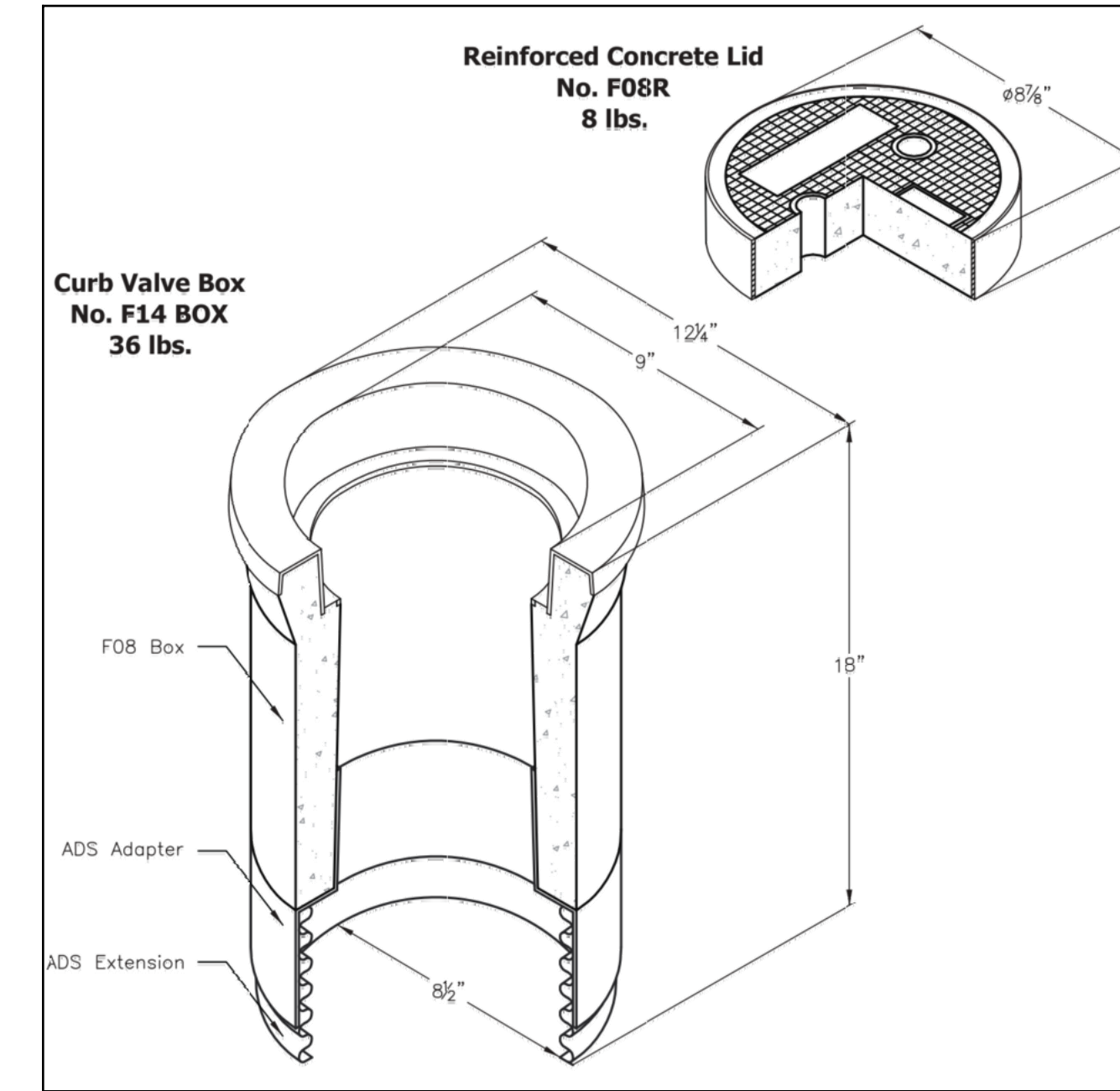
SINGLE-LINE DIAGRAM & DETAILS

SHEET NUMBER

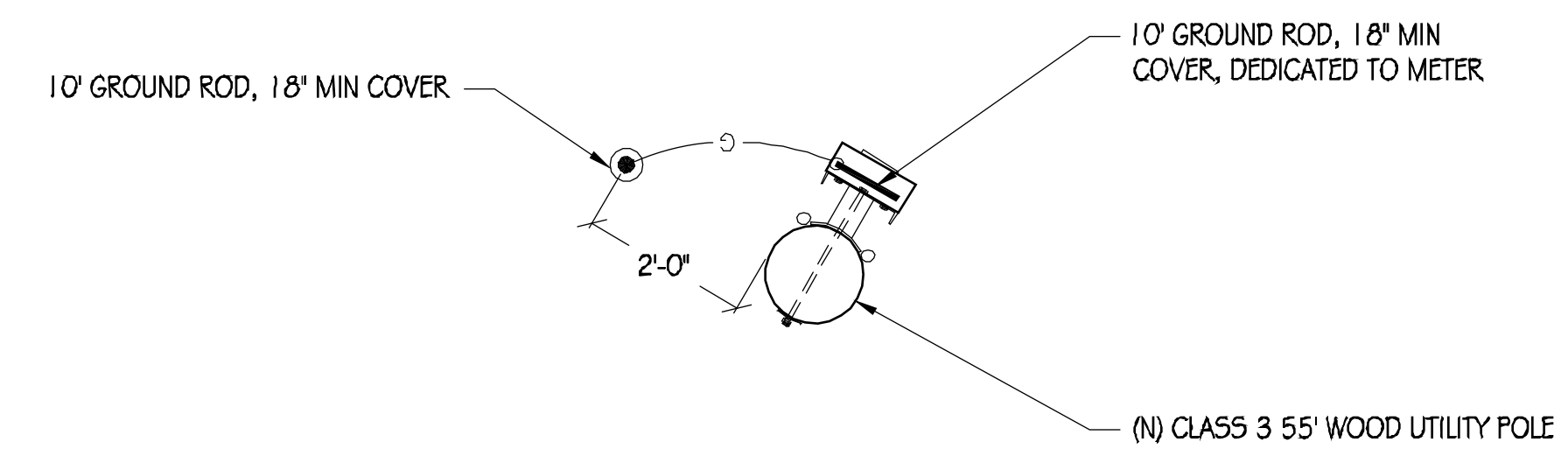
E-1



POLE GROUNDING DIAGRAM
NT5



TEST WELL DETAIL
NT5



GROUNDING PLAN
NT5



AT&T MOBILITY
5001 EXECUTIVE PARKWAY
SAN RAMON, CA 94583

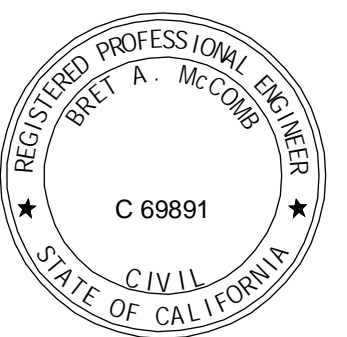


36 EXECUTIVE PARK, SUITE 210
IRVINE, CA 92614

PRECISION DESIGN
Drafting, INC.

Phone: (530) 823-6546 www.pdnd.com
11768 Alwood Rd, Suite 20 Auburn, CA 95603

THESE PLANS AND SPECIFICATIONS AS INSTRUMENTS OF SERVICE ARE AND SHALL REMAIN THE PROPERTY OF PRECISION DESIGN AND DRAFTING, INC. NO PART OF THESE PLANS OR SPECIFICATIONS SHALL BE REPRODUCED OR TRANSMITTED IN ANY FORM OR BY ANY MEANS, ELECTRONIC OR MECHANICAL, INCLUDING PHOTOCOPYING, RECORDING, OR BY ANY INFORMATION STORAGE AND RETRIEVAL SYSTEM, WITHOUT THE WRITTEN PERMISSION OF PRECISION DESIGN AND DRAFTING, INC. ALL RIGHTS RESERVED.



CRAN_RSFR_LOSAO_009

491 PATRICK WY
LOS ALTOS, CA 94022

ISSUE STATUS

△	DATE	DESCRIPTION
	06/14/18	CD 90%
	07/25/19	CD 100%

DRAWN BY: T.J. / B.L.
CHECKED BY: T. DICARLO
APPROVED BY: B. McCOMB
DATE: 07/25/19

SHEET TITLE:

GROUNDING DIAGRAMS

SHEET NUMBER

E-2